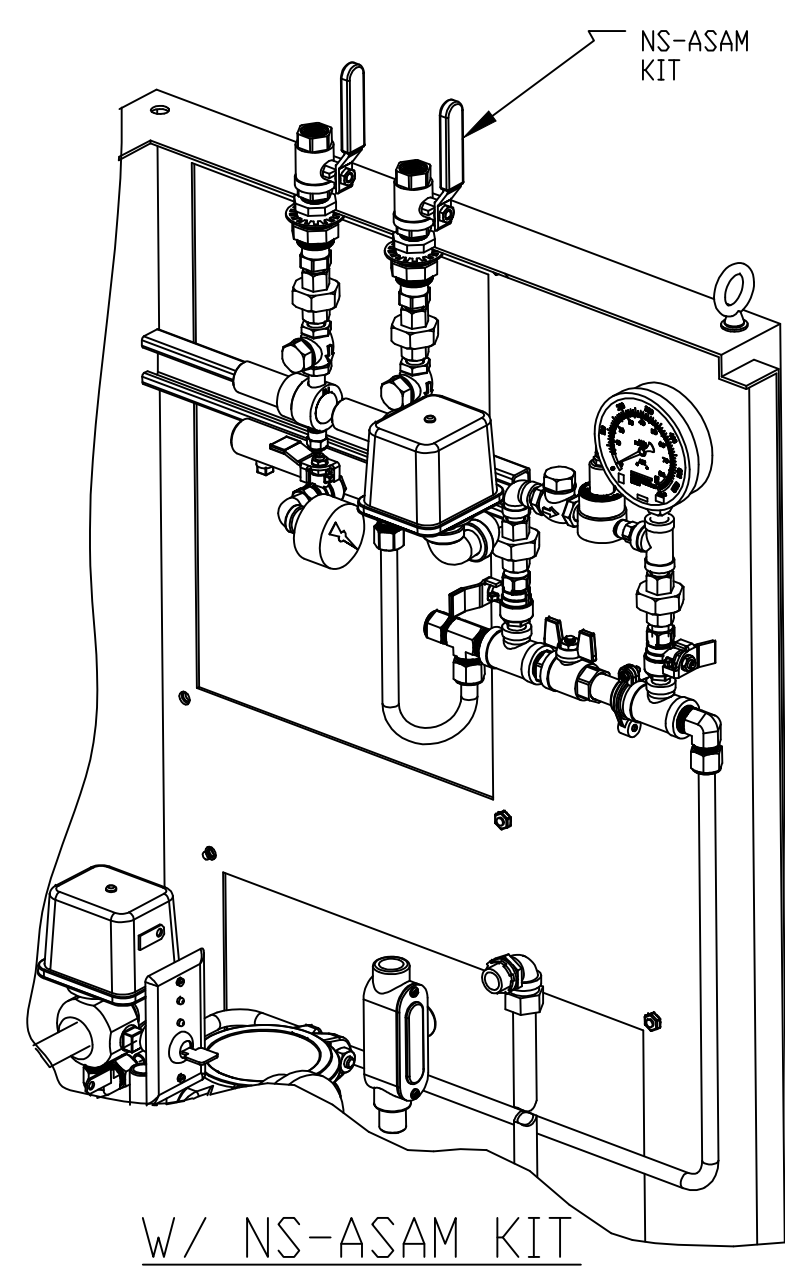
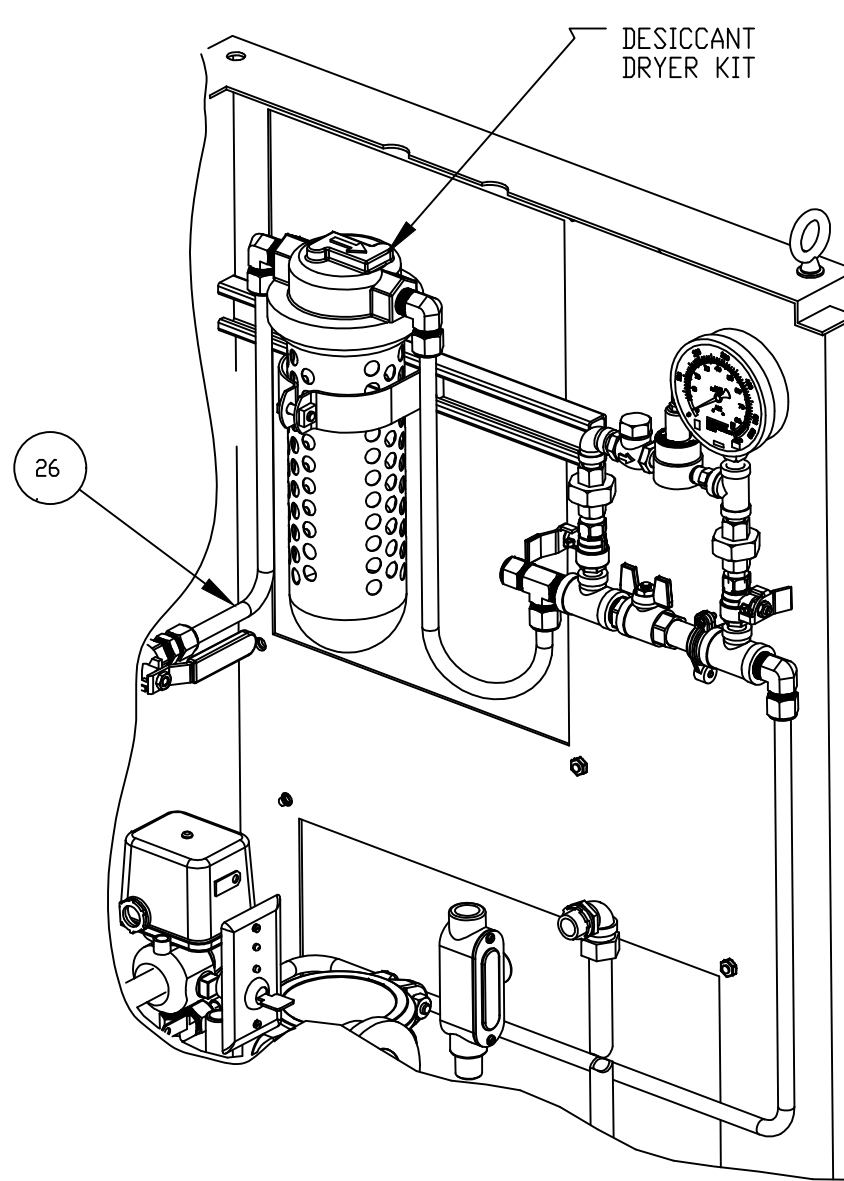


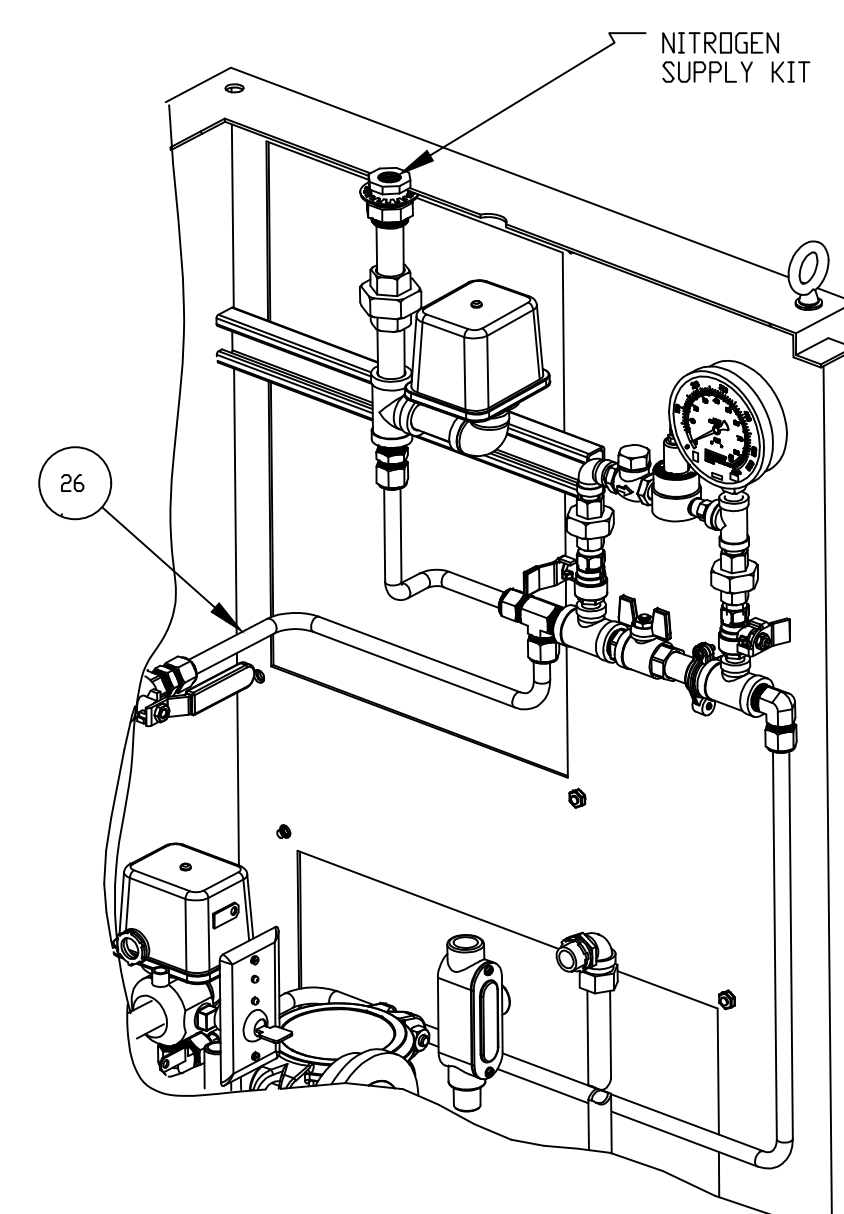
MODEL A PMD



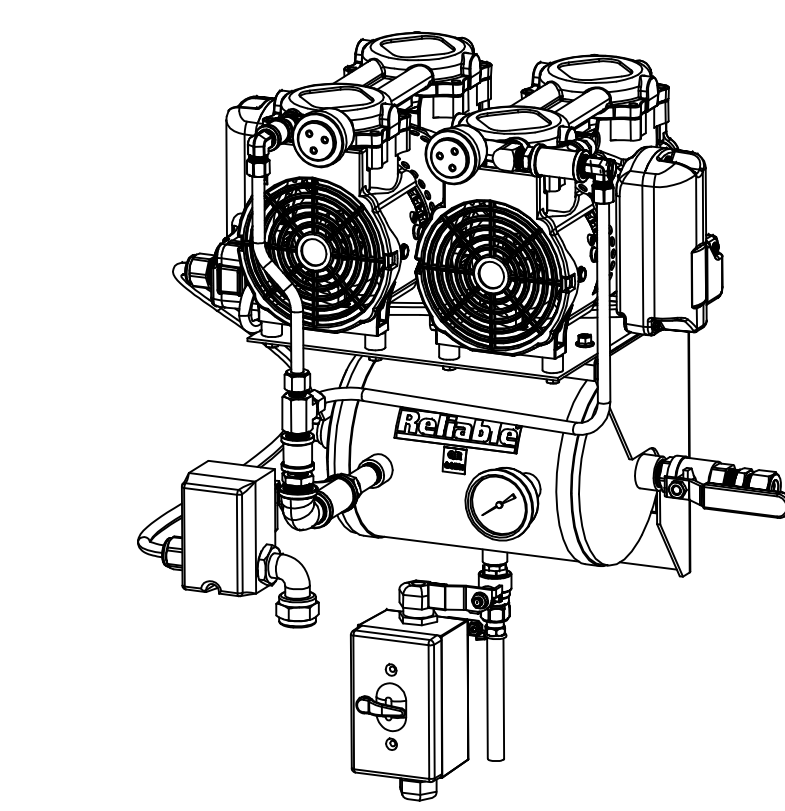
W/ NS-ASAM KIT
P/N 6704030024



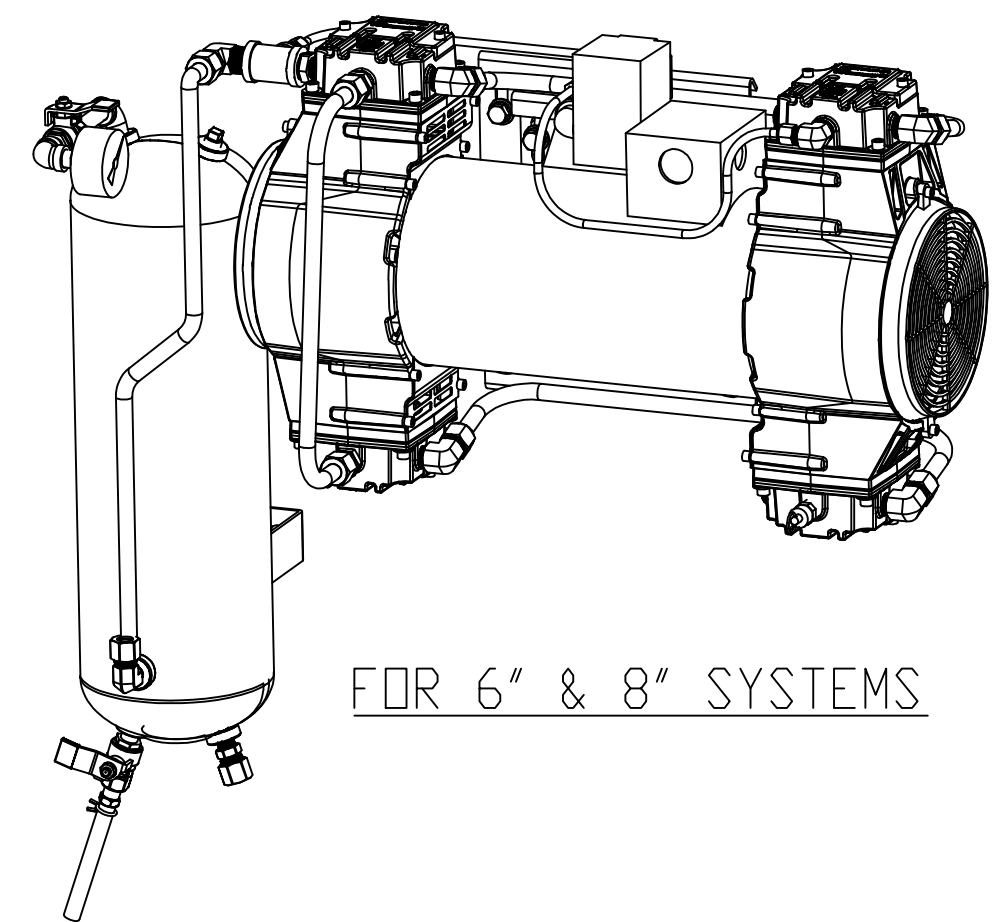
W/ DESICCANT KIT
P/N 6501200003



W/ NITROGEN SUPPLY KIT
P/N 6304030200

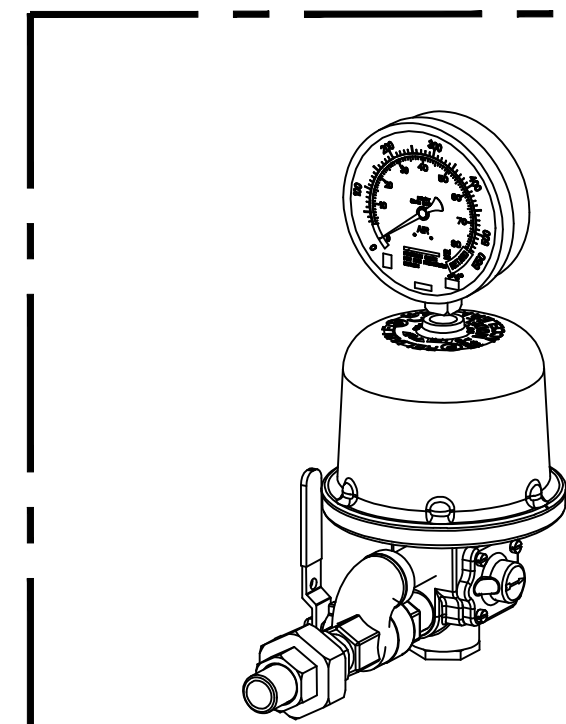


FOR 2", 2-1/2", 3", 4" & 6" SYSTEMS



FOR 6" & 8" SYSTEMS

OPTION NUMBER	DESCRIPTION	AIR COMPRESSOR KIT PART NUMBER
1	KIT, AIR COMPRESSOR, 1/2 HP, 115VAC	670200013
2	KIT, AIR COMPRESSOR, 1 HP, 115VAC	670200015
3	KIT, AIR COMPRESSOR, 1-1/2 HP, 115VAC	670200017
4	KIT, AIR COMPRESSOR, 1/2 HP, 220VAC, 60HZ	670200014
5	KIT, AIR COMPRESSOR, 1 HP, 220VAC, 60HZ	670200016
6	KIT, AIR COMPRESSOR, 1-1/2 HP, 220VAC, 60HZ	670200018
7	KIT, AIR COMPRESSOR, 1/2 HP, 220VAC, 50HZ	670200027
8	KIT, AIR COMPRESSOR, 1 HP, 220VAC, 50HZ	670200028
9	KIT, AIR COMPRESSOR, 1-1/2 HP, 220VAC, 50HZ	670200026

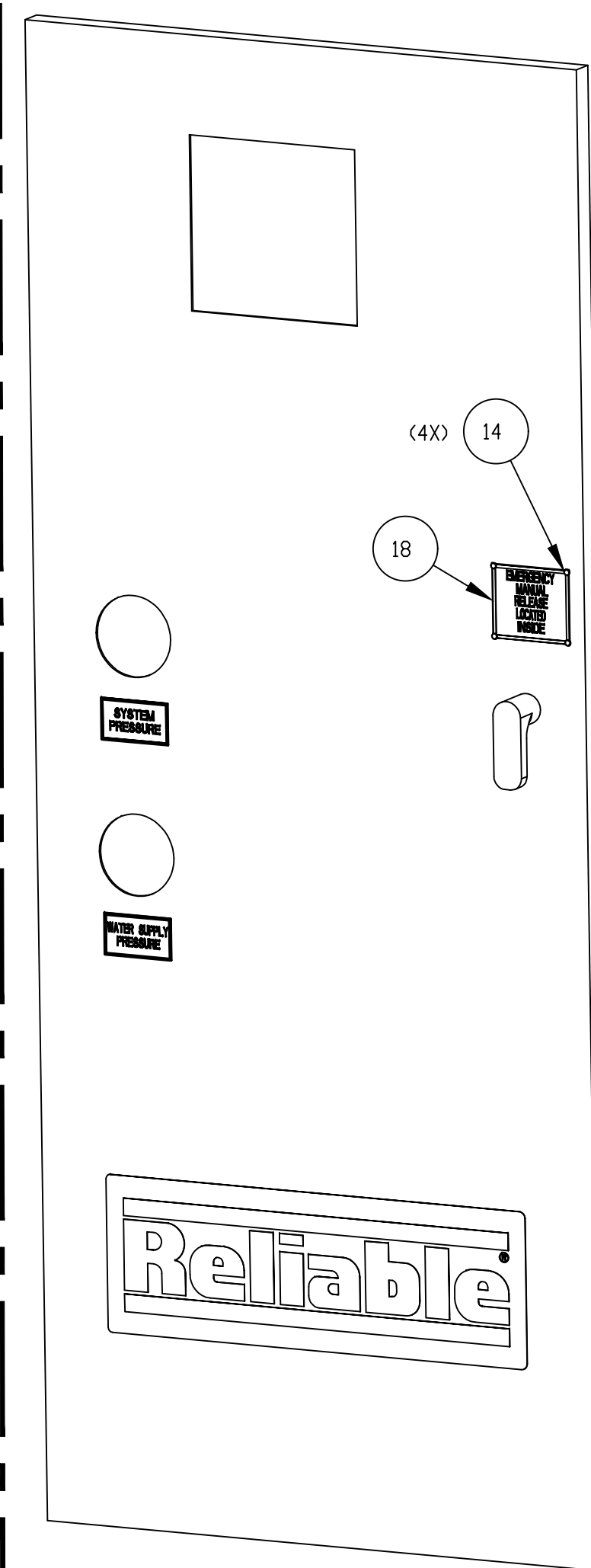


B1 ACCELERATOR TRIM KIT
P/N 6501200019

SYSTEM PNEUMATIC DEVICE OPTIONS

OPTION NUMBER	DESCRIPTION	CONTROL VALVE KIT PART NUMBER
1	2" SYSTEM SIDE CONTROL VALVE KIT	650120021
2	2-1/2" SYSTEM SIDE CONTROL VALVE KIT	650120023
3	3" SYSTEM SIDE CONTROL VALVE KIT	650120025
4	4" SYSTEM SIDE CONTROL VALVE KIT	650120026
5	6" SYSTEM SIDE CONTROL VALVE KIT	650120027
6	8" SYSTEM SIDE CONTROL VALVE KIT	650120028

SOLENOID VALVE OR OPTIONAL SOLENOID VALVE W/ COILKEEPER SUPERVISORY SWITCH (SEE SOLENOID VALVE SELECTION TABLE)



Reliable

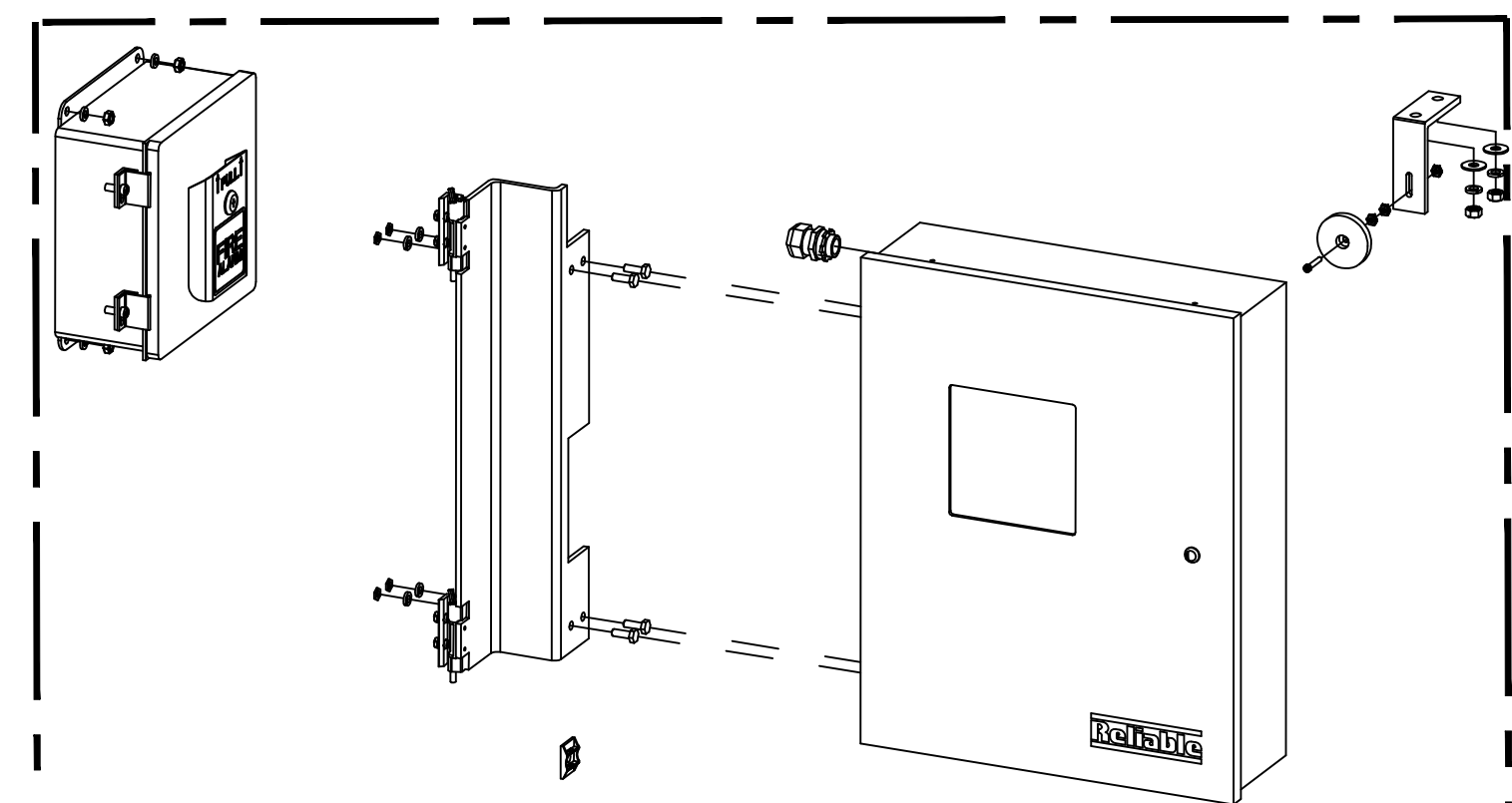
ELECTRICAL SUBASSEMBLY SYSTEM

OPTIONAL CONTROL PANEL

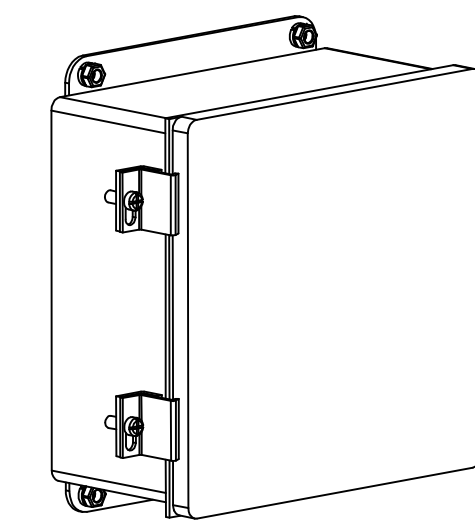
OPTIONAL CONTROL VALVE KIT

OPTIONAL B1 ACCELERATOR TRIM KIT

AIR COMPRESSOR KIT (2"-4" PREPAKS ONLY)



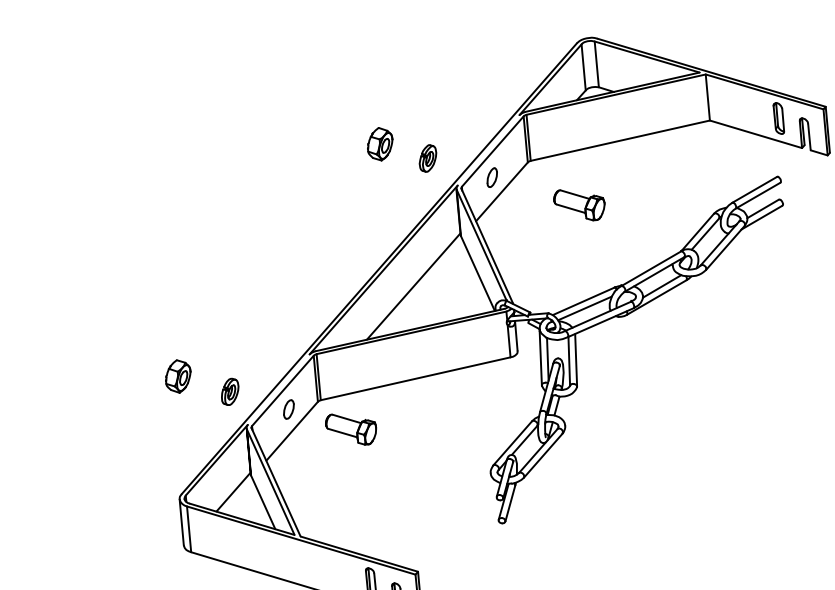
CONTROL PANEL KIT
P/N 661172015



KIT W/O ELECTRICAL PANEL
P/N 6501200040

OPTION NUMBER	DESCRIPTION	KIT PART NUMBER
1	KIT, CONTROL PANEL	661172015
2	KIT, NO CONTROL PANEL	650120040

OPTION NUMBER	DESCRIPTION	SOLENOID VALVE KIT PART NUMBER
1	SOLENOID VALVE, 175 PSI	6871020038
2	SOLENOID VALVE, 300 PSI	6871020031
5	SOLENOID VALVE, 175 PSI W/ CSS	6871020036
6	SOLENOID VALVE, 300 PSI W/ CSS	6871020037



OPTION NUMBER	DESCRIPTION	PART NUMBER
1	TANK BRACKET	6899190002
2	NONE	---

NOTE: DO NOT INSTALL BRACKET, SHIP LOOSE.

SYSTEM SIZE	SYSTEM TYPE ORN BOLT OR PREPAK P/N									
	DELUGE WET PRELIT ORN BOLT IS 4	DELUGE ELECTRIC ORN BOLT IS 4	DELUGE DRY PRELIT ORN BOLT IS 3	SINGLE INTERLOCK WET ORN BOLT IS 7	DOUBLE INTERLOCK TYPE 'E' ORN BOLT IS 2	DOUBLE INTERLOCK TYPE 'F' ORN BOLT IS 3	DRYPAK ORN BOLT IS 3	DOUBLE INTERLOCK TYPE 'FC' ORN BOLT IS 3	NON-INTERLOCK ORN BOLT IS C	
2"	7700100	7700200	7700300	7700400	7700500	7700600	7700700	7700800	7700900	7700000
2-1/2"	7700100	7700200	7700300	7700400	7700500	7700600	7700700	7700800	7700900	7700000
3"	7700100	7700200	7700300	7700400	7700500	7700600	7700700	7700800	7700900	7700000
4"	7700100	7700200	7700300	7700400	7700500	7700600	7700700	7700800	7700900	7700000
6"	7700100	7700200	7700300	7700400	7700500	7700600	7700700	7700800	7700900	7700000
8"	7700100	7700200	7700300	7700400	7700500	7700600	7700700	7700800	7700900	7700000

NOTE: PART NUMBERS IN BOLD ARE THE FILED UNDER NUMBERS

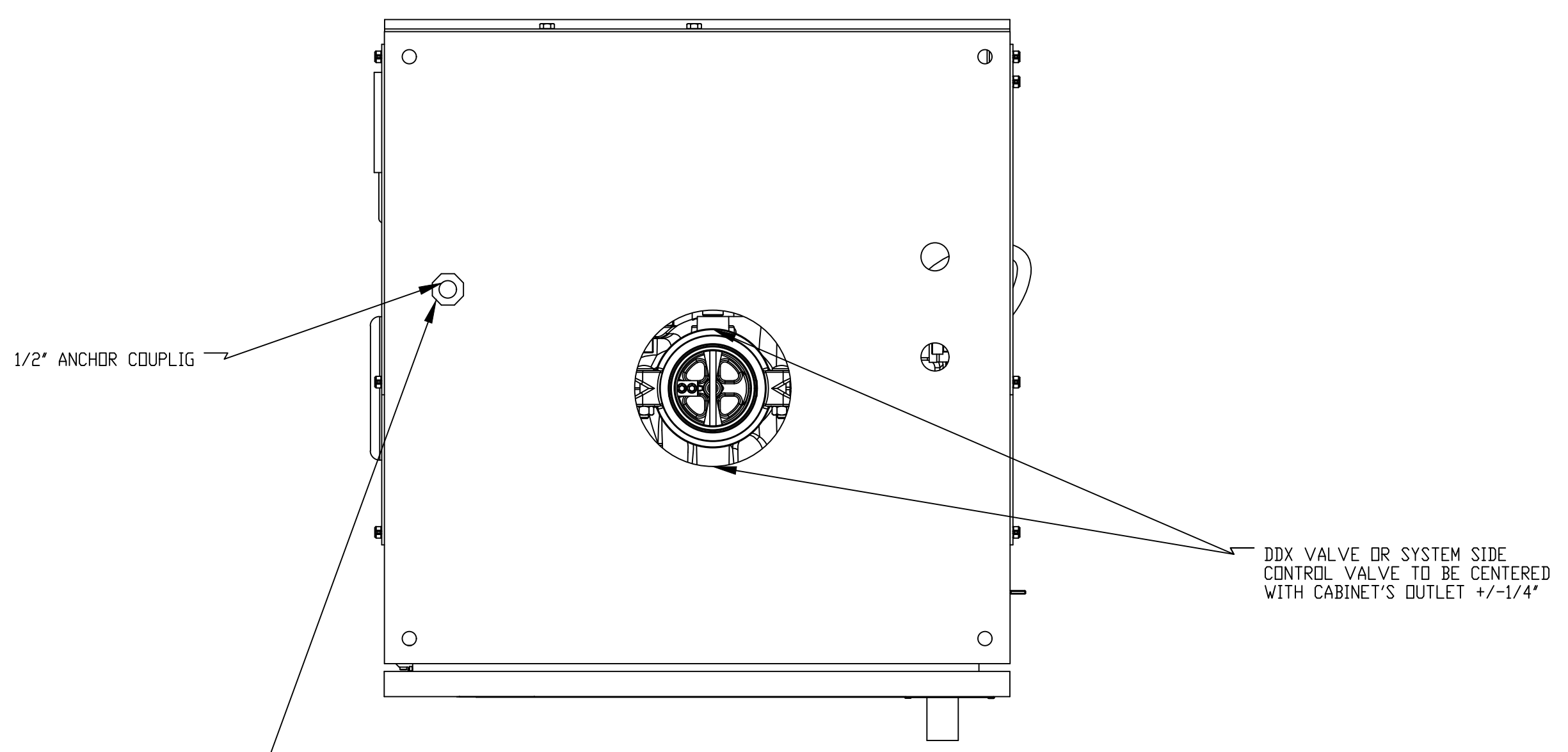
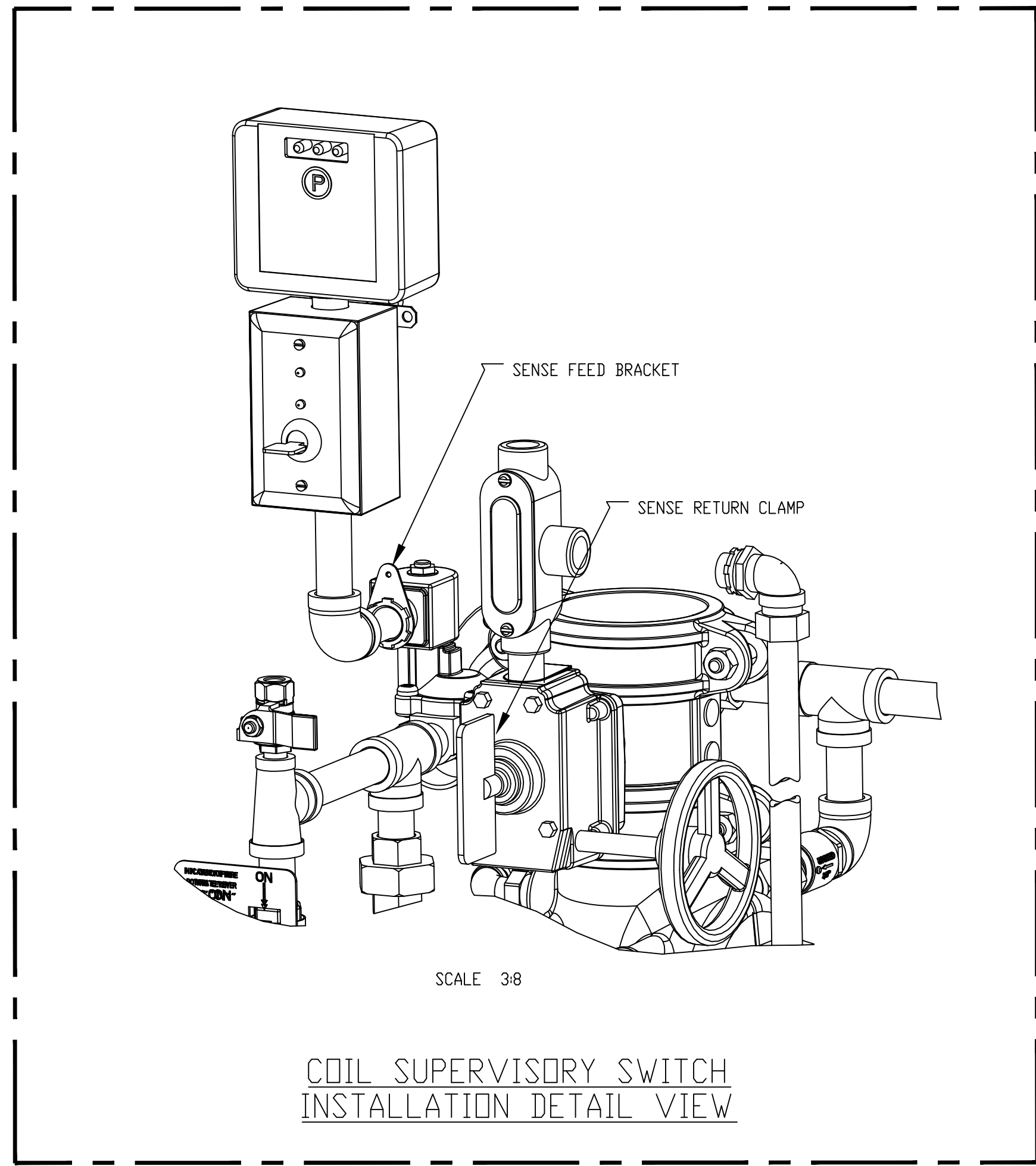
ITEM #	DESCRIPTION	QTY.	SYSTEM SIZE (4TH DIGIT OF PREPAK P/N)					
			2"	2-1/2"	3"	4"	6"	8"
1	ENCLOSURE ASSEMBLY	1	9696206	9696205	9696204	N/A	9696203	N/A
2	PLATE, TOP ACCESS	1	9373003	9373002	9373001	9373004	9373005	N/A
3	GROMMET, TOP ACCESS, SUPPLY	1	9373003	9373002	9373001	9373004	9373005	N/A
4	GROMMET, SIDE ACCESS, SUPPLY	1	9373004					
5	SHOULDER EYEBOLT	4	982006				982008	
6	WASHER, PLAIN	4	9696301				9696302	
7	PIPE CLAMP, W/SCREW & NUT	2	9820051					

ITEM #	PART NO.	DESCRIPTION	REMARKS	QTY.
36	94392031	LABEL, PREPAK INSPECTION		1
35	98500100	U-BOLT 3/8"	ONLY DN 6" & 8"	1
34	95606107	SCREW, HEX CAP, 1/2"-13 X 1-1/2", ZN PLTD	ONLY DN 6" & 8"	4
33	96906107	SPRING LOCK WASHER, HELICAL, 1/2"	ONLY DN 6" & 8"	4
32	98020035	CHANNEL NUT, 1/2" X 13	ONLY DN 6" & 8"	4
31	94390046	LABEL, WIRING SCHEMATIC		1
30	89141118	TIE, RETAINING, BLACK	NOT SHOWN	12
29	89141112	TIE, RETAINING	NOT SHOWN	3
28	92956802	WIRE CONNECTOR, SCREW ON		20
27	95516915	SEALANT, PIPE THREAD, GPERMA-LOK LM-50	NOT SHOWN	AR
26	98768010	COPPER TUBING, 1/2"		4ft
25	98768007	COPPER TUBING, 1/4"		2ft
24	98020004	EXTERIOR 1/2" SPLIT PIPE CLAMP, 3/8" THREAD		1
23	98200000	UNION, BULK-HEAD, FEMALE, 1/4"		2
22	98248001	GAUGE, WATER PRESSURE (0-300 PSI)		1
21	6304001110	MODEL A PRESSURE MAINTENANCE DEVICE	SEE AMD VIEW	1
20	98248000	GAUGE, AIR PRESSURE (0-80 PSI)		2
19	98200050	PIPE CLAMP, 2" WITH SCREW AND NUT		2
18	98020043	NAMERATE, EMER. MANUAL RELEASE		1
17	96906902	WASHER, PLAIN, 1/4"		4
16	96666704	ADAPTER, TEE, 1/2" OUTER DIAMETER TUBE, 1/2" NPT, BRASS		1
15	95606125	SCREW, WING, 1/4"-20 X 1/2"		16
14	95456603	RIVET, BUTTON HEAD, 1/8"		4
13	98200011	PLUG, 1/2" COMP		1
12	94906012	WING NUT, 1/4"-28		8
11	94906013	NUT, HEX, 1/4"-28		4
10	93730003	GROMMET, SEALING, 2", PVC		1
9	96906707	ADAPTER, ELBOW, 90°, 1/2" OD TUBE, 1/2" NPT, BRASS	SEE AMD VIEW	1
8	SEE RISER P/N TABLE	RISER ASSEMBLY		1

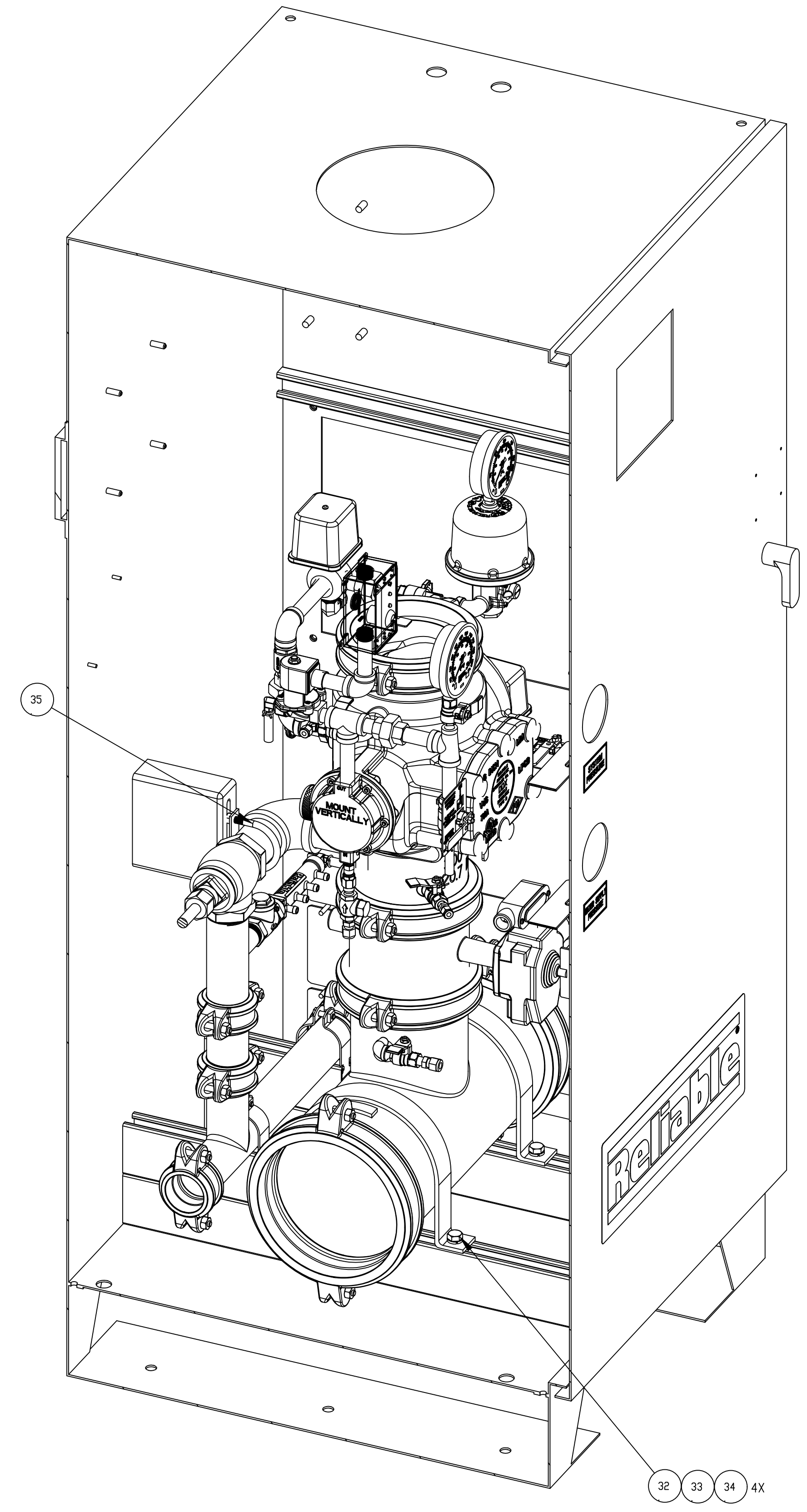
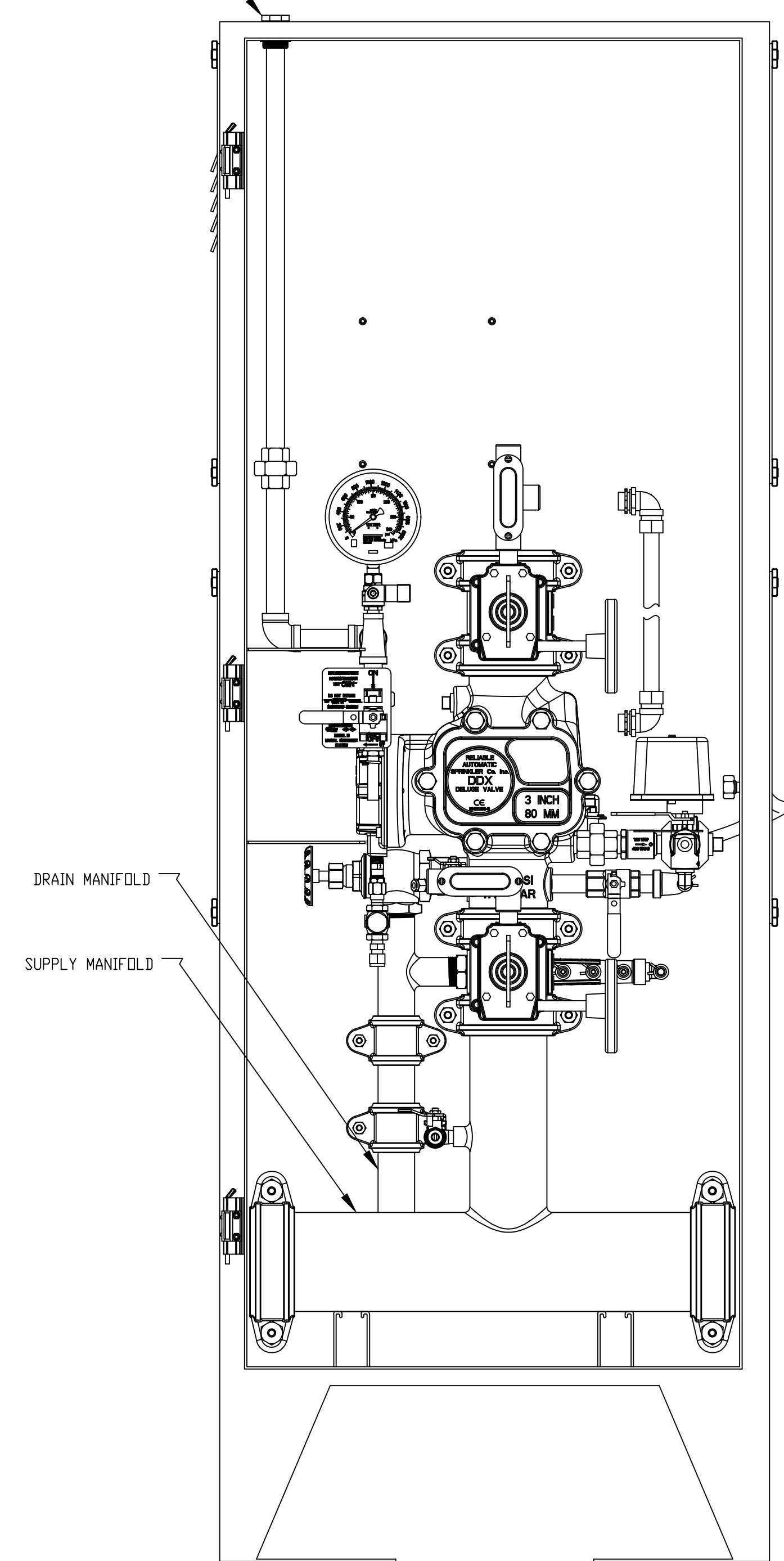
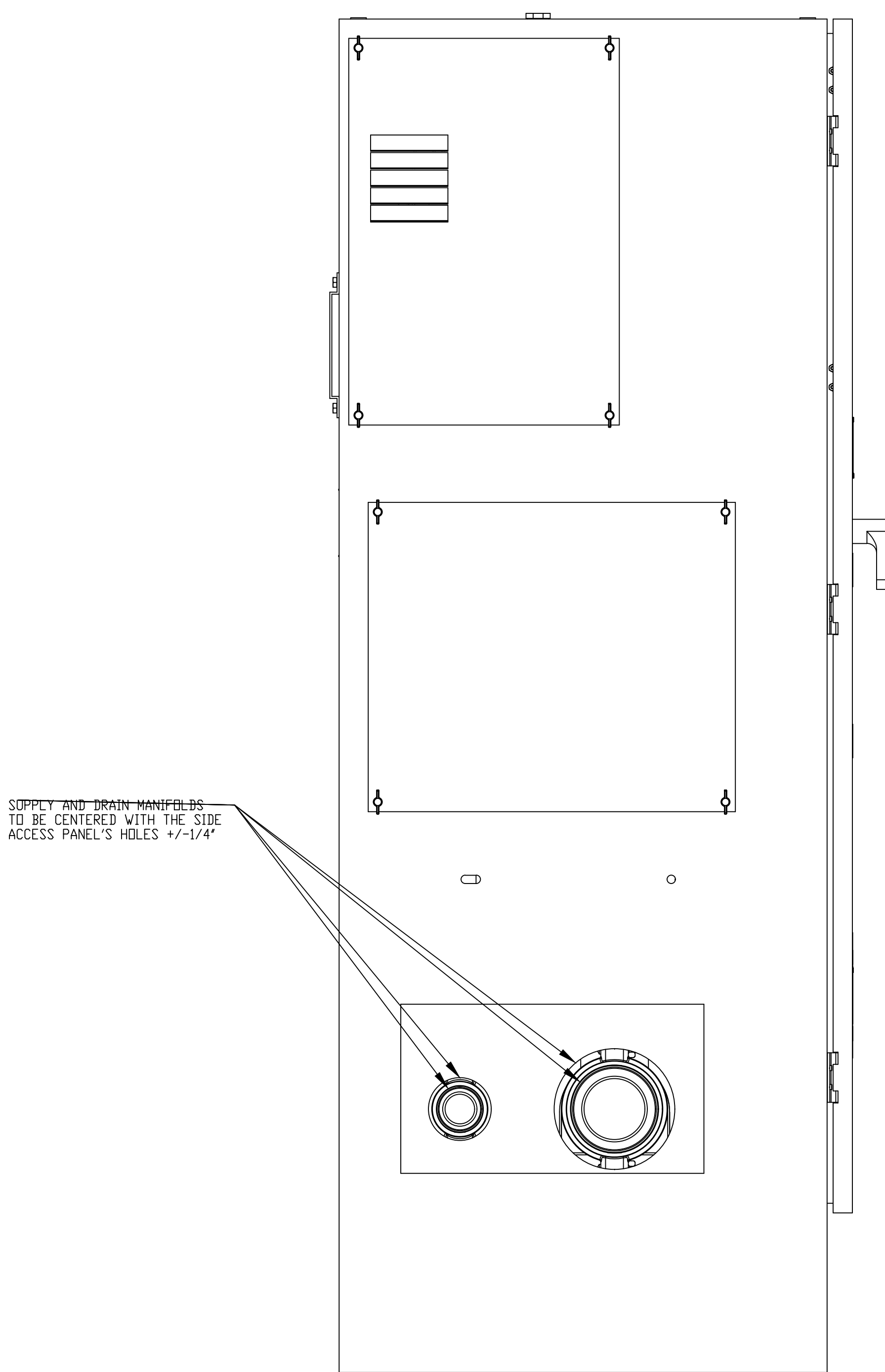
SEE PART NUMBER TABLE

ITEM #	PART NO.	DESCRIPTION	REMARKS	QTY.
BILL OF MATERIALS				
THE RELIABLE AUTOMATIC SPRINKLER CO., INC. LIBERTY, SC.				
PART NO. VARIOUS		DWG SIZE: E		
PART: TOP ASSEMBLY		SCALE: 1:1		
PRODUCT: MODEL DIX PREPAK/DRYPAK 2"-8"		FILE NO. 655011110		
SCALE: 1:1		DATE: 01/31/18		SHEET 16/2

THIS DRAWING CONTAINS INFORMATION PROPRIETARY TO THE RELIABLE AUTOMATIC SPRINKLER CO. IT MAY NOT BE REPRODUCED OR MAY ANY INFORMATION HEREON BE DISCLOSED TO OTHERS WITHOUT THE SPECIFIC WRITTEN PERMISSION OF RELIABLE.



FOR DELUGE WET PILOT, DELUGEE DRY PILOT, DELUGE SINGLE INTERLOCK WET PILOT, DELUGE SINGLE INTERLOCK DRY PILOT AND DOUBLE INTERLOCK TYPE PL, AFTER CENTERING THE RISER WITH THE TOP AND SIDE PANELS, USE PILOT LINE PLUMBER TO MARK AND PUNCH A 1 1/2" HOLE ON TOP OF THE CABINET. INSTALL THE PILOT LINE INLET (1/2" ANCHOR P/N 98085663) THRU THE HOLE.



6'-8" PREPAK QSHPD VIEW

MTL: N/A FINISH: N/A DO NOT SCALE DRAWING REMOVE BURRS, BREAK SHARP EDGES TOLERANCE UNLESS OTHERWISE SPECIFIED: ANGLE ± 1° HOLE FINISH: DEC. XX ± .010 SQUARENESS - PARALLELISM		THE RELIABLE AUTOMATIC SPRINKLER CO., INC. LIBERTY, S.C. PART NO: 655011100 PART: TOP ASSEMBLY PRODUCT: MODEL DDX PREPAK/DRYPAK 2'-8"	
THIS DRAWING CONTAINS INFORMATION PROPRIETARY TO THE RELIABLE AUTOMATIC SPRINKLER CORP. IT MAY NOT BE REPRODUCED NOR MAY ANY INFORMATION HEREON BE DISCLOSED TO OTHERS WITHOUT THE SPECIFIC WRITTEN PERMISSION OF RELIABLE.		FILE NO: 655011100 SCALE: 1:5	DRW BY: AW DATE: 09/4/18 C/K'D: - SHEET 2 OF 2