

DDX VALVE TRIMS PART NUMBER CONFIGURATION

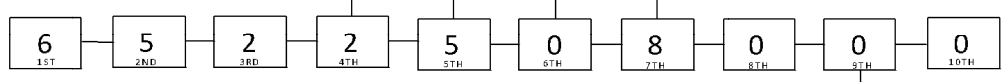
SELECTIONS IN BOLD ARE STANDARD OPTIONS

TRIM TYPE & B1 ACCELERATOR OPTION
 5 = LP, W/O B1 ACCELERATOR³
 6 = LP, WITH B1 ACCELERATOR³

TRIM FINISH⁴
 0 = GALVANIZED
 1 = BLACK PIPE
 2 = BRASS
 3 = STAINLESS STEEL
 4 = GALV. (U.S. SOURCED)
 5 = BLACK PIPE (U.S. SOURCED)
 6 = BRASS (U.S. SOURCED)
 7 = STAINLESS STEEL (U.S. SOURCED)

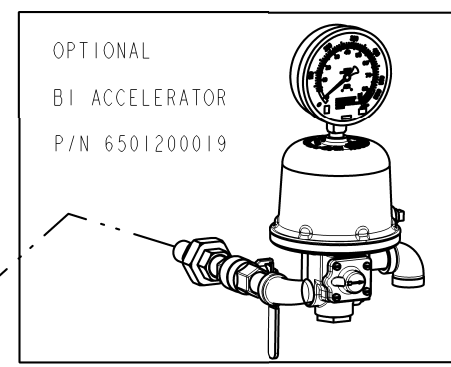
ASSEMBLY CONFIGURATION, VALVE COLOR & INSTALLED CONTROL VALVE OPTIONS
 0 = LOOSE TRIM FOR 2"-3" VALVES^{1,5}
 2 = SEGMENTALLY ASSEMBLED FOR 2"-3" VALVES^{1,5}
 4 = FULLY ASSEM. TO BLACK DDX VALVE, W/O CONTROL VALVE
 5 = FULLY ASSEM. TO RED DDX VALVE, W/O CONTROL VALVE
 7 = FULLY ASSEM. TO RED CCC APPROVED DDX VALVE, W/O CONTROL VALVE⁶
 8 = FULLY ASSEM. TO BLACK DDX VALVE, WITH CONTROL VALVE
 9 = FULLY ASSEM. TO RED DDX VALVE, WITH CONTROL VALVE
 A = FULLY ASSEM. TO RED CCC APPROVED DDX VALVE, WITH CONTROL VALVE^{6,7}

DDX VALVE SIZE AND ENDS CONNECTION TYPE
 0 = NONE (NO VALVE, LOOSE AND SEGMENTED TRIM ONLY)¹
 1 = 2 1/2" GEX GE
 2 = 2" GEX GE
 3 = 3" GEX GE
 5 = 76 MM GEX GE⁹



SYSTEM PRESSURE SWITCH⁸
 0 = NONE
 1 = POTTER FM, cULus APPROVED
 2 = SYSTEM SENSOR FM/UL APPROVED
 3 = SYSTEM SENSOR FM/ULC APPROVED
 4 = POTTER, EXPLOSION PROOF

- NOTES:**
- FOR THE 4TH DIGIT, SELECT "0" FOR LOOSE OR SEGMENTED TRIMS. 7TH DIGIT MUST BE "0", OR "2". FOR ANY 4TH DIGIT SELECTION OTHER THAN "0", THE 7TH HAS TO BE A FULLY-ASSEMBLED SELECTION ("4", "5" ... ETC).
 - STANDARD FLANGE TYPE IS CLASS 150 PER ASME B16.5.
 - NO SOLENOID VALVE REQUIRED, THE 8TH DIGIT MUST BE "0".
 - GALVANIZED PIPE FITTINGS ARE THE DEFAULT OFFERING. ALL OTHERS TRIM FINISHES ARE MAKE TO ORDER (MTO).
 - FOR LOOSE AND SEGMENTED ASSEMBLED TRIM CONFIGURATIONS, THE DDX VALVE IS SOLD SEPARATELY (SEE BULLETIN 519 FOR DDX VALVE'S PART NUMBER).
 - CHINA COMPULSORY CERTIFICATE FOR FIRE PRODUCTS.
 - FLANGED VALVES ARE NOT AVAILABLE WITH A CONTROL VALVE (REFER TO DIGIT #7).
 - {EMPTY}
 - 76 MM AND 165 MM ARE NOT AVAILABLE WITH A CONTROL VALVE (REFER TO DIGIT #7).

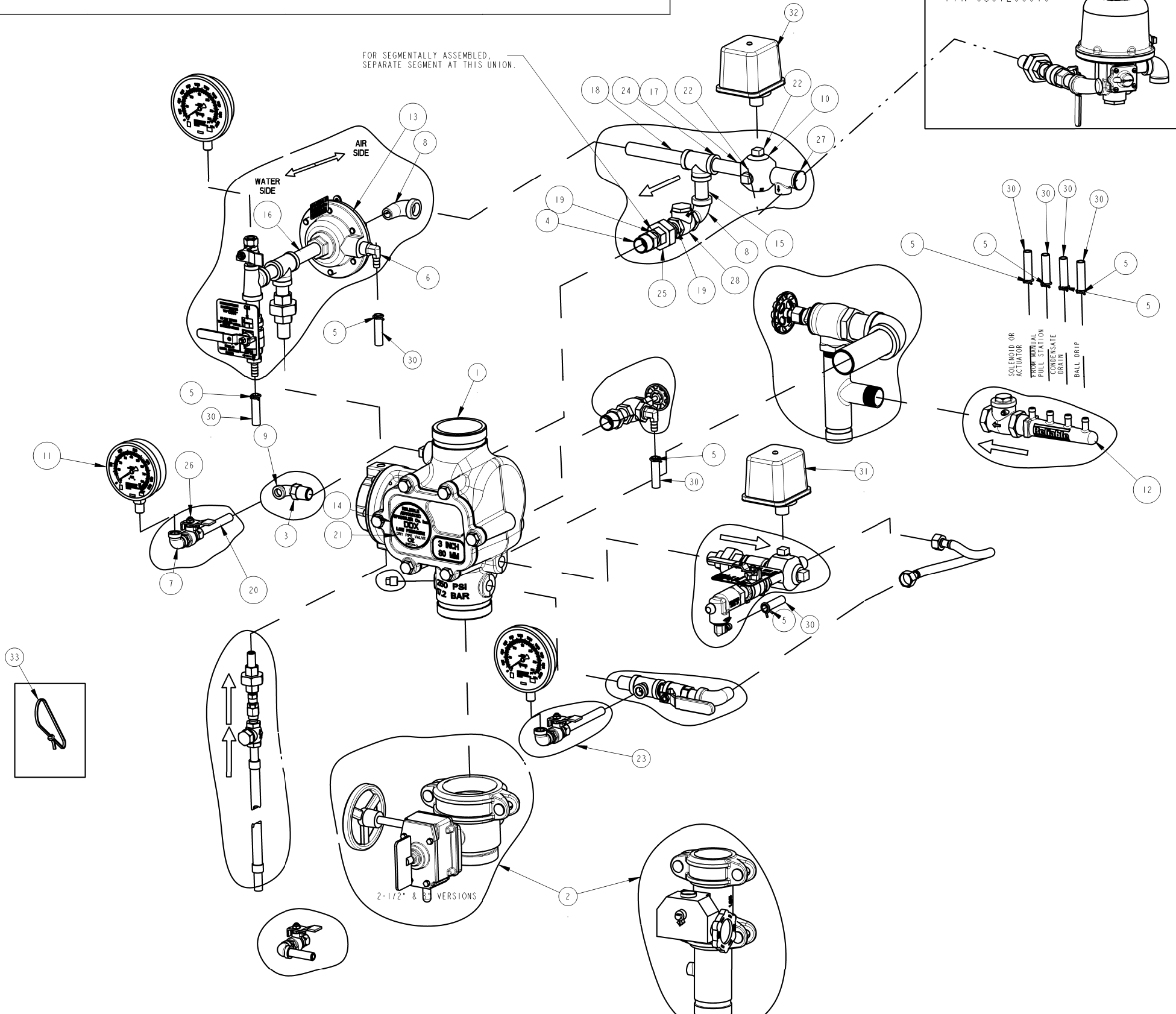


DDX VALVE PART NUMBER TABLE

DDX. VALVE	VALVE PART NUMBER	DRAWING FILE NUMBER
2" DUCTILE IRON G/G BLACK	6103022000	6103030000
2" DUCTILE IRON G/G RED	6103022001	
2-1/2" DUCTILE IRON G/G BLACK	6103022500	
2-1/2" DUCTILE IRON G/G RED	6103022501	
3" DUCTILE IRON G/G BLACK	6103030000	
3" DUCTILE IRON G/G RED	6103030001	
76MM DUCTILE IRON G/G RED	6103027600	

MODEL DDX 2"-3" DELUGE LOW PRESSURE DRY PIPE
 CA-185 P/N 89241147
 ASSEMBLY P/N 6520500000 REV. K

33	89141112	TIE, RETAINING		9
32	6990093756	SWITCH, POTTER PRESSURE (PS40-EX)	(ULC, UL, FM)	1
	6990019313	SWITCH, POTTER PRESSURE (PS25-2)	(ULC, UL, FM)	
	6999992361	SWITCH, PRESSURE (EPSA40-2)	(ULC)	
31	6999991340	SWITCH, PRESSURE (EPSA40-2)	(UL/FM)	1
	6990012997	SWITCH, POTTER PRESSURE (PS10-EX)	(ULC, UL, FM)	
	699006382	SWITCH, POTTER PRESSURE (PS10-2)	(ULC, UL, FM)	
	6999992360	SWITCH, PRESSURE (EPSA10-2)	(ULC)	
	6999991212	SWITCH, PRESSURE (EPS10-2)	(UL/FM)	
30	96686756	TUBING, PVC, 3/8" I.D. x 6 FT.		1
29	95519915	PERMA-LOK	NOT SHOWN	A/R
28	98849181	HORIZ. SWING CHECK VALVE, 1/2" NPT		1
27	98849228	VALVE, RELIEF, 1/2", 50 PSI		1
26	98849237	VALVE, BALL, 1/4" NPTF x 1/4" NPTM		1
25	98815204	UNION, ORING SEAL, GALV., 1/2		1
24	98761651	TEE, 1/2X1/2X1/2, GALVANIZED		1
23	77009263	SUB-ASSEMBLY, TRIM, BASE, GALVANIZED PIPE		1
22	98604406	PIPE, PLUG, IRON, SQUARE HEAD, 1/2		2
21	99089002	PAD-ADHESIVE, VALVE NAME PLATES		1
20	98543243	NIPPLE, 1/4X4, GALVANIZED STEEL		1
19	98543212	NIPPLE, 1/2XCLOSE, GALVANIZED STEEL		2
18	98543219	NIPPLE, 1/2X5, GALVANIZED STEEL		1
17	98543230	NIPPLE, 1/2X3, GALVANIZED STEEL		1
16	98543216	NIPPLE, 1/2X3-1/2, GALVANIZED STEEL		1
15	98543209	NIPPLE, 1/2X2, GALVANIZED STEEL		1
14	94619916	NAMEPLATE, DRY PIPE VALVE		1
13	71039010	MODEL LP PILOT LINE ACTUATOR		1
12	91004299	MANIFOLD, DRAIN, BARBED, 6-3/16		1
11	98248000	GAUGE, AIR PRESSURE (0-80 PSI)		1
10	98751004	FITTING, MULTIPORT, 1/2x1/2x1/2x1/2x1/2		1
9	98174408	ELBOW, STREET, 1/4", GALV.		1
8	98174400	ELBOW, STREET, 1/2", GALV.		2
7	98174404	ELBOW, 1/4", MALL IRON, GALV.		1
6	92056704	CONNECTOR, ELBOW, 3/8" ID TUBE x 1/2" NPT		1
5	95309255	CLAMP, HOSE, 1/2" CONSTANT TENSION, ZINC		8
4	98048022	BUSHING, REDUCER, 3/4X1/2, GALVANIZED		1
3	98048000	BUSHING, REDUCER, 1/2X1/4, GALVANIZED		1
2	77009303	SUBASSEMBLY, CONTROL VALVE, 3"	FULLY ASSEMBLED WITH CONTROL VALVE ONLY	1
	77009302	SUBASSEMBLY, CONTROL VALVE, 2-1/2"		
	77009301	SUBASSEMBLY, CONTROL VALVE, 2"		
1	SEE DDX VALVE P/N TABLE			1

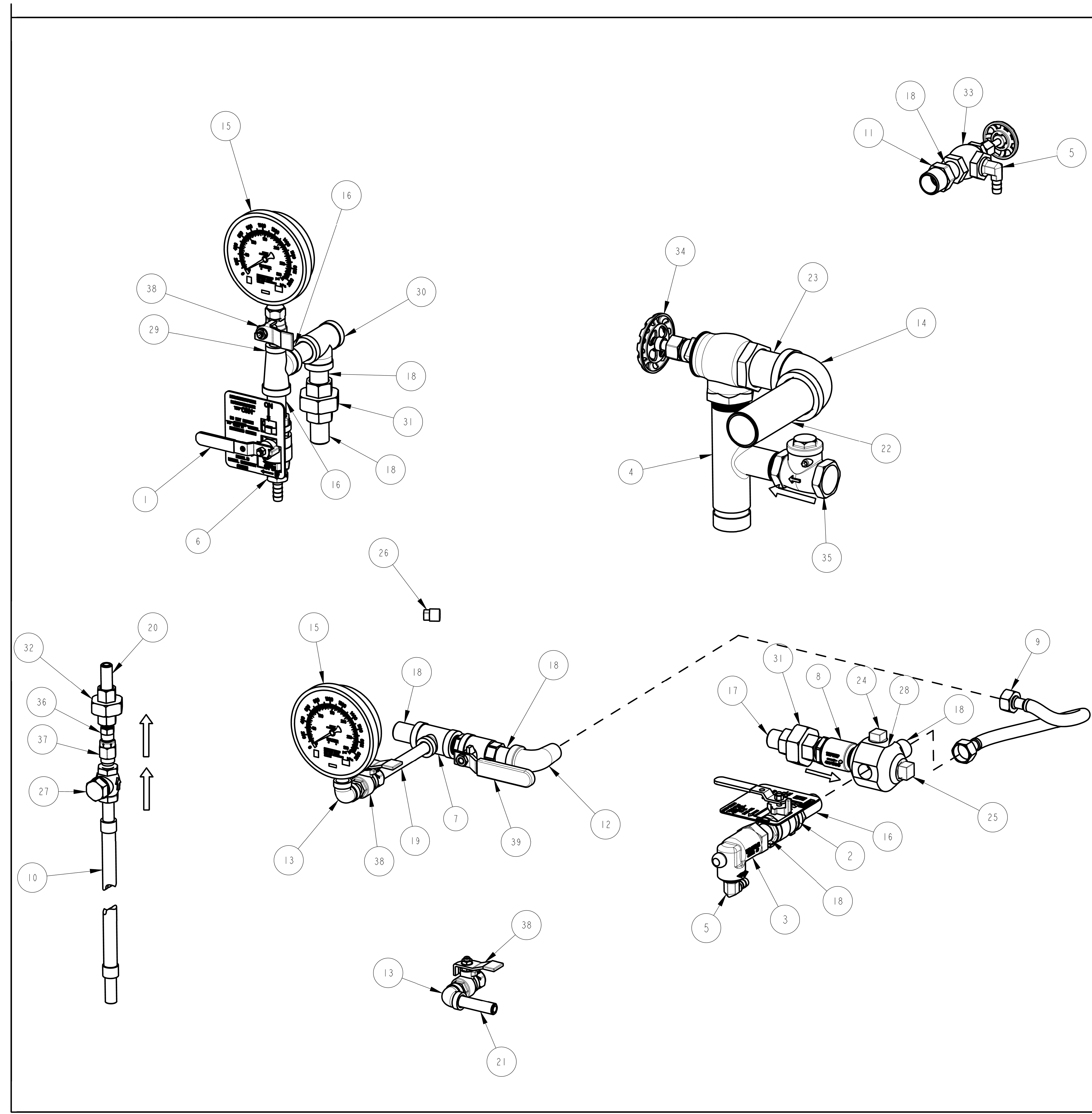


2" VERSION WHEN ALTERNATIVE REL-RBVG IS USED

ITEM NO.	PART NO.	DESCRIPTION	QTY.
----------	----------	-------------	------

BILL OF MATERIALS

REVISIONS			
LTR	DESCRIPTION	DATE	DRAWN BY
	SEE PAGE 1		



MODEL DDX 2"-3" BASIC TRIMS
 CA-323
 SUBASSEMBLY P/N 77000263 REV. E

ITEM NO.	PART NO.	DESCRIPTION	REMARKS	QTY.
40	95516915	THREAD, SEALANT	NOT SHOWN	A/R
39	9884011A	VALVE, BALL, 1/2 NPTF X 1/2 NPTM		1
38	98840237	VALVE, BALL, 1/4" NPTF x 1/4" NPTM		3
37	98840188	VALVE, CHECK, 1/4" NPTM x 1/4" NPTF		1
36	98840147	CHECK VALVE, 1/4, NPT, POPPET TYPE INLINE		1
35	98840145	SWING CHECK VALVE, 1" NPT		1
34	98840106	VALVE, ANGLE, 1 1/4		1
33	98840103	VALVE, ANGLE, 1/2"		1
32	98815201	UNION, 1/4, IRON, G. J., GALV.		1
31	98815200	UNION, 1/2, IRON, G. J., GALV.		2
30	98761651	TEE, 1/2X1/2X1/2, GALVANIZED		1
29	98761649	TEE, 1/2X1/4X1/2, GALVANIZED		1
28	98751005	FITTING, MULTIPOINT, 3/4X1/2X1/2X1/2X1/2		1
27	98727607	STRAINER, 1/4"		1
26	98614403	PIPE, PLUG, IRON, SQUARE HEAD, 1/4		1
25	98614401	PIPE, PLUG, IRON, SQUARE HEAD, 3/4		1
24	98604406	PIPE, PLUG, IRON, SQUARE HEAD, 1/2		1
23	98543285	NIPPLE, 1-1/4XCLOSE, GALVANIZED STEEL		1
22	98543284	NIPPLE, 1-1/4X5, GALVANIZED STEEL		1
21	98543244	NIPPLE, 1/4X2, GALVANIZED STEEL		1
20	98543226	NIPPLE, 1/4X1-1/2, GALVANIZED STEEL		1
19	98543224	NIPPLE, 1/4X4-1/2, GALVANIZED STEEL		1
18	98543223	NIPPLE, 1/2X1-1/2, GALVANIZED STEEL		7
17	98543212	NIPPLE, 1/2XCLOSE, GALVANIZED STEEL		1
16	98543209	NIPPLE, 1/2X2, GALVANIZED STEEL		3
15	98248001	GAUGE, WATER PRESSURE (0-300 PSI)		2
14	98174414	ELBOW, 1-1/4", MALL IRON, GALV.		1
13	98174404	ELBOW, 1/4", MALL IRON, GALV.		2
12	98174400	ELBOW, STREET, 1/2", GALV.		1
11	98048022	BUSHING, REDUCER, 3/4X1/2, GALVANIZED		1
10	96920944	HOSE, FLEXIBLE, STAINLESS STEEL, 1/4 NPT X 18 LONG		1
9	96920912	FLEX LINE, 12		1
8	96816906	VALVE, CHECK, MALE 1/2, MALE 1/2		1
7	96606607	TEE, 1/2X1/2X1/4, GALVANIZED		1
6	92056810	CONNECTOR, 3/8" ID TUBE x 1/2" NPT		1
5	92056704	CONNECTOR, ELBOW, 3/8" ID TUBE x 1/2" NPT		2
4	9101423C	MANIFOLD, 1-1/4 X 1-1/4 X 1, GRV/THD/THD		1
3	78653800	ASSEMBLY, BALL DRIP, 1/2"		1
2	78653004	ASSEMBLY, VALVE CAUTION STATION, 1/2"		1
1	78653000	ASSEMBLY, MANUAL EMERGENCY STATION		1

BILL OF MATERIALS

MTL N/A	THE RELIABLE AUTOMATIC SPRINKLER CO., INC. LIBERTY, S.C.			
FINISH	PART NO: 77000263	DWG SIZE: D		
DO NOT SCALE DRAWING REMOVE BURRS, BREAK SHARP EDGES TOLERANCE UNLESS OTHERWISE SPECIFIED: ANGLE ± 1/2 63 MACH. FINISH CONC. TIR SQUARENESS - PARALLELISM	PART: SUB-ASSEMBLY, TRIM, BASE, GALVANIZED PIPE			
	PRODUCT: DDX 2"-3"			
	FILE NO: 77000263	ENG: JJ	DRW BY: PH	CKD:
	SCALE: 1:3	DATE: 04/25/13	SHEET 2 of 2	

THIS DRAWING CONTAINS INFORMATION PROPRIETARY TO THE RELIABLE AUTOMATIC SPRINKLER CORP. IT MAY NOT BE REPRODUCED NOR MAY ANY INFORMATION HEREON BE DISCLOSED TO OTHERS WITHOUT THE SPECIFIC WRITTEN PERMISSION OF RELIABLE.

DDX VALVE PART NUMBER TABLE

DDX. VALVE	VALVE PART NUMBER	DRAWING FILE NUMBER
4" DUCTILE IRON G/G BLACK	6103040026	6103040026
4" DUCTILE IRON G/G RED	6103040030	
4" DUCTILE IRON F/G CLASS 150 BLACK	6103040044	
4" DUCTILE IRON F/G CLASS 150 RED	6103040046	
4" DUCTILE IRON F/G PN16 RED	6103040048	
4" DUCTILE IRON F/F CLASS 150 BLACK	6103040045	
4" DUCTILE IRON F/F CLASS 150 RED	6103040047	6103060024
4" DUCTILE IRON F/F PN16 RED	6103040049	
6" DUCTILE IRON G/G BLACK	6103060024	
6" DUCTILE IRON G/G RED	6103060030	
6" DUCTILE IRON F/G CLASS 150 BLACK	6103060045	
6" DUCTILE IRON F/G CLASS 150 RED	6103060048	
6" DUCTILE IRON F/G PN16 RED	6103060049	6103080001
6" DUCTILE IRON F/F CLASS 150 BLACK	6103060046	
6" DUCTILE IRON F/F CLASS 150 RED	6103060047	
6" DUCTILE IRON F/F PN16 RED	6103060050	
165MM DUCTILE IRON G/G RED	6103060028	
165MM DUCTILE IRON F/G CLASS 150 RED	6103060051	
165MM DUCTILE IRON F/G PN16 RED	6103060052	6103080001
8" DUCTILE IRON G/G BLACK	6103080001	
8" DUCTILE IRON G/G RED	6103080003	
8" DUCTILE IRON F/F CLASS 150 BLACK	6103080016	
8" DUCTILE IRON F/F CLASS 150 RED	6103080018	
8" DUCTILE IRON F/F PN16 RED	6103080020	

MODEL DDX 4", 6" & 8" DELUGE LOW PRESSURE DRY PIPE

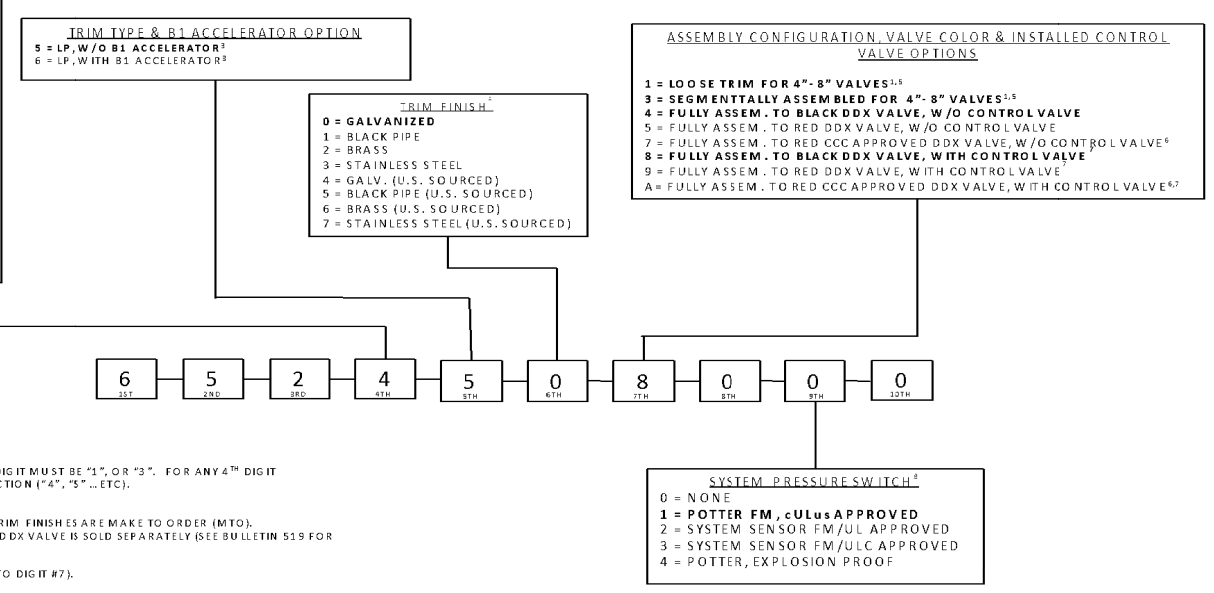
CA-156 P/N 89241116

ASSEMBLY P/N 6520501000 REV. L

DDX VALVE SIZE AND ENDS CONNECTION TYPE

- 0 = NONE (NO VALVE, LOOSE AND SEGMENTED TRIM ONLY)
- 4 = 4" GEX GE
- 6 = 6" GEX GE
- 7 = 165 MM GEX GE
- 8 = 8" GEX GE
- A = 4" FLANGE^{1,2,7} INLET X GE OUTLET
- B = 4" FLANGE^{1,2,7} INLET X FLANGE^{1,2,7} OUTLET
- C = 4" PN16 FLANGE^{1,2,7} INLET X GE OUTLET
- D = 4" PN16 FLANGE^{1,2,7} INLET X PN16 FLANGE^{1,2,7} OUTLET
- E = 6" FLANGE^{1,2,7} INLET X GE OUTLET
- F = 6" FLANGE^{1,2,7} INLET X FLANGE^{1,2,7} OUTLET
- G = 6" PN16 FLANGE^{1,2,7} INLET X GE OUTLET
- H = 6" PN16 FLANGE^{1,2,7} INLET X PN16 FLANGE^{1,2,7} OUTLET
- I = 165 MM FLANGE^{1,2,7} INLET X GE OUTLET
- J = 165 MM PN16 FLANGE^{1,2,7} INLET X GE OUTLET
- K = 8" FLANGE^{1,2,7} INLET X FLANGE^{1,2,7} OUTLET
- L = 8" PN16 FLANGE^{1,2,7} INLET X PN16 FLANGE^{1,2,7} OUTLET

DDX VALVE TRIMS PART NUMBER CONFIGURATION

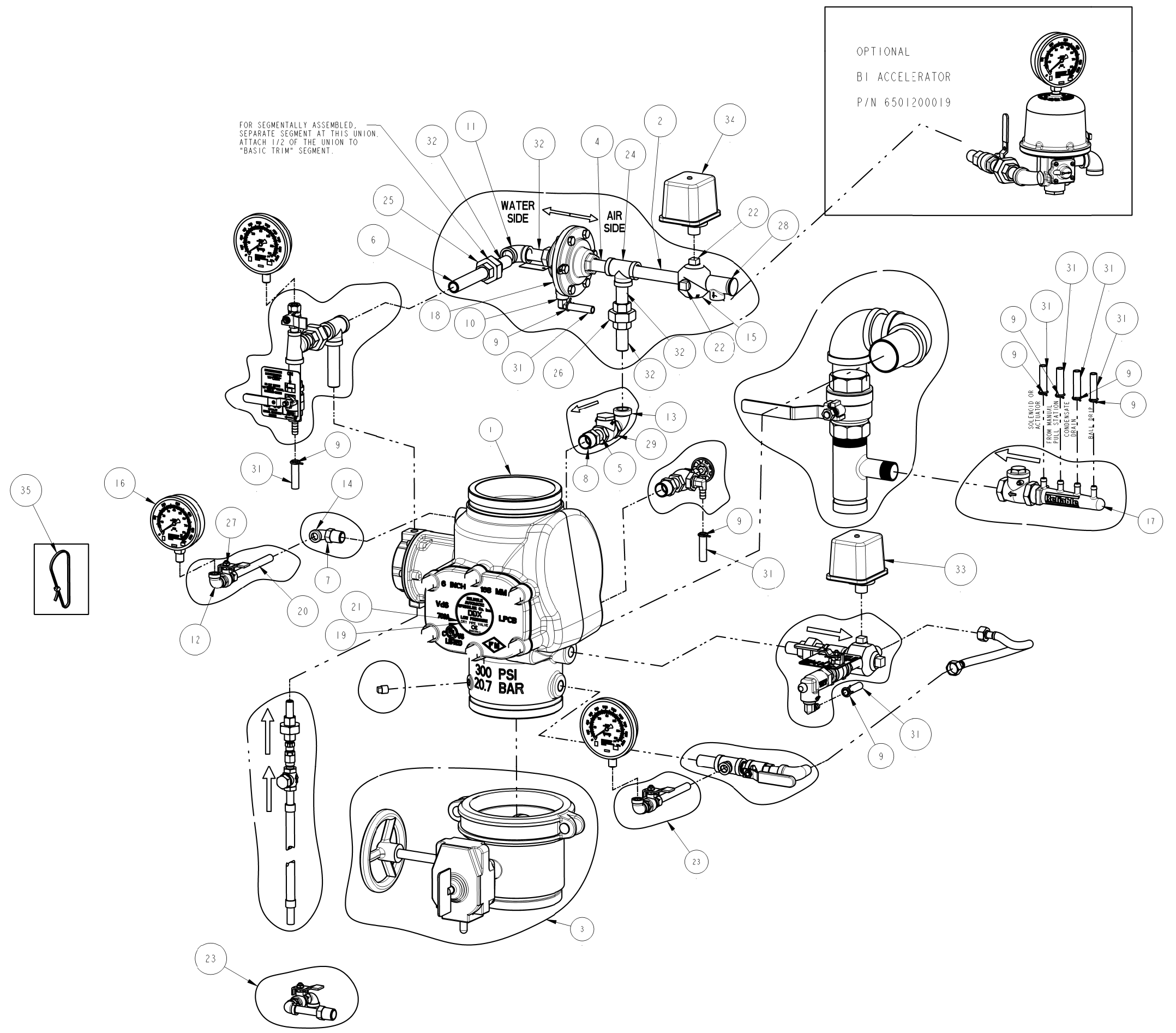


NOTES:

- FOR THE 4TH DIGIT, SELECT "0" FOR LOOSE OR SEGMENTED TRIMS. 7TH DIGIT MUST BE "1", "3", OR "5". FOR ANY 4TH DIGIT SELECTION OTHER THAN "0", THE 7TH MUST BE A FULLY ASSEMBLED SELECTION ("4", "5"... ETC).
- STANDARD FLANGE TYPE IS CLASS 150 PER ASME B16.5.
- NO SOLENOID VALVE REQUIRED, THE 8TH DIGIT MUST BE "0".
- GALVANIZED PIPE FITTINGS ARE THE DEFAULT OFFERING. ALL OTHERS TRIM FINISHES ARE MAKE TO ORDER (MTO).
- FOR LOOSE AND SEGMENTED ASSEMBLED TRIM CONFIGURATIONS, THE DDX VALVE IS SOLD SEPARATELY (SEE BULLETIN 519 FOR DDX VALVE'S PART NUMBER).
- CHINA COMPLY CERTIFICATE FOR FIRE PRODUCTS.
- FLANGED VALVES ARE NOT AVAILABLE WITH A CONTROL VALVE (REFER TO DIGIT #7).
- (EMPTY)
- 76 MM AND 165 MM ARE NOT AVAILABLE WITH A CONTROL VALVE (REFER TO DIGIT #7).

35	89141112	TIE, RETAINING	NOT SHOWN	9
34	6990003756	SWITCH, POTTER PRESSURE (PS40-EX)	(ULC, UL, FM)	1
	6990019313	SWITCH, POTTER PRESSURE (PS25-2)	(ULC, UL, FM)	
	6999992361	SWITCH, PRESSURE (EPS40-2)	(ULC)	
33	6999991340	SWITCH, PRESSURE (EPS10-2)	(UL/FM)	1
	6990012997	SWITCH, POTTER PRESSURE (PS10-EX)	(ULC, UL, FM)	
	6990006382	SWITCH, POTTER PRESSURE (PS10-2)	(ULC, UL, FM)	
	6999992360	SWITCH, PRESSURE (EPS10-2)	(ULC)	
	6999991212	SWITCH, PRESSURE (EPS10-2)	(UL/FM)	
32	98543209	NIPPLE, STEEL, GALV., 1/2" X 2"		4
31	96686756	TUBING, PVC, 3/8 I.D. X 6 FT.		1
30	95516915	PERMA-LOK	NOT SHOWN	A/R
29	98840181	HORIZ. SWING CHECK VALVE, 1/2" NPT		1
28	98840228	VALVE, RELIEF, 1/2", 50 PSI		1
27	98840237	VALVE, BALL, 1/4" NPT X 1/4" NPTM		1
26	98815204	UNION, ORING SEAL, GALV., 1/2"		1
25	98815200	UNION, 1/2", IRON, G.J., GALV.		1
24	98761651	TEE, 1/2X1/2X1/2, GALVANIZED		1
23	77000266	SUB-ASSEMBLY, TRIM, BASE, GALVANIZED PIPE		1
22	98604406	PIPE, PLUG, IRON, SQUARE HEAD, 1/2"		2
21	99080002	PAD-ADHESIVE, VALVE NAME PLATES		1
20	98543217	NIPPLE, 1/4X6, GALVANIZED STEEL		1
19	94616916	NAMEPLATE, DRY PIPE VALVE		1
18	71030010	MODEL LP PILOT LINE ACTUATOR		1
17	91004299	MANIFOLD, DRAIN, BARBED, 6-3/16		1
16	98248000	GAUGE, AIR PRESSURE (0-80 PSI)		1
15	98751004	FITTING, MULTIPORT, 1/2X1/2X1/2X1/2		1
14	98174408	ELBOW, STREET, 1/4", GALV.		1
13	98174400	ELBOW, STREET, 1/2", GALV.		1
12	98174404	ELBOW, 1/4", MALL IRON, GALV.		1
11	98174401	ELBOW, 1/2", MALL IRON, GALV.		1
10	92056704	CONNECTOR, ELBOW, 3/8" ID TUBE X 1/2" NPT		1
9	95306255	CLAMP, HOSE, 1/2" CONSTANT TENSION, ZINC		8
8	98048022	BUSHING, REDUCER, 3/4X1/2, GALVANIZED		1
7	98048000	BUSHING, REDUCER, 1/2X1/4, GALVANIZED		1
6	98543228	NIPPLE, STEEL, GALV., 1/2" X 4-1/2"		1
5	98543223	NIPPLE, 1/2X1-1/2, GALVANIZED STEEL		1
4	98543209	NIPPLE, STEEL, GALV., 1/2" X 2"	4" & 6" VERSIONS	1
	98543230	NIPPLE, STEEL, GALV., 1/2" X 3"	8" VERSION	
	77000308	SUBASSEMBLY, CONTROL VALVE, 8"	FULLY ASSEMBLED WITH CONTROL VALVE ONLY	
3	77000306	SUBASSEMBLY, CONTROL VALVE, 6"	FULLY ASSEMBLED WITH CONTROL VALVE ONLY	1
	77000304	SUBASSEMBLY, CONTROL VALVE, 4"	FULLY ASSEMBLED WITH CONTROL VALVE ONLY	
	98543230	NIPPLE, STEEL, GALV., 1/2" X 3"	4" VERSION	
2	98543228	NIPPLE, STEEL, GALV., 1/2" X 4-1/2"	6" VERSION	1
	98543204	NIPPLE, STEEL, GALV., 1/2" X 6"	8" VERSION	
	1	SEE DDX VALVE P/N TABLE		

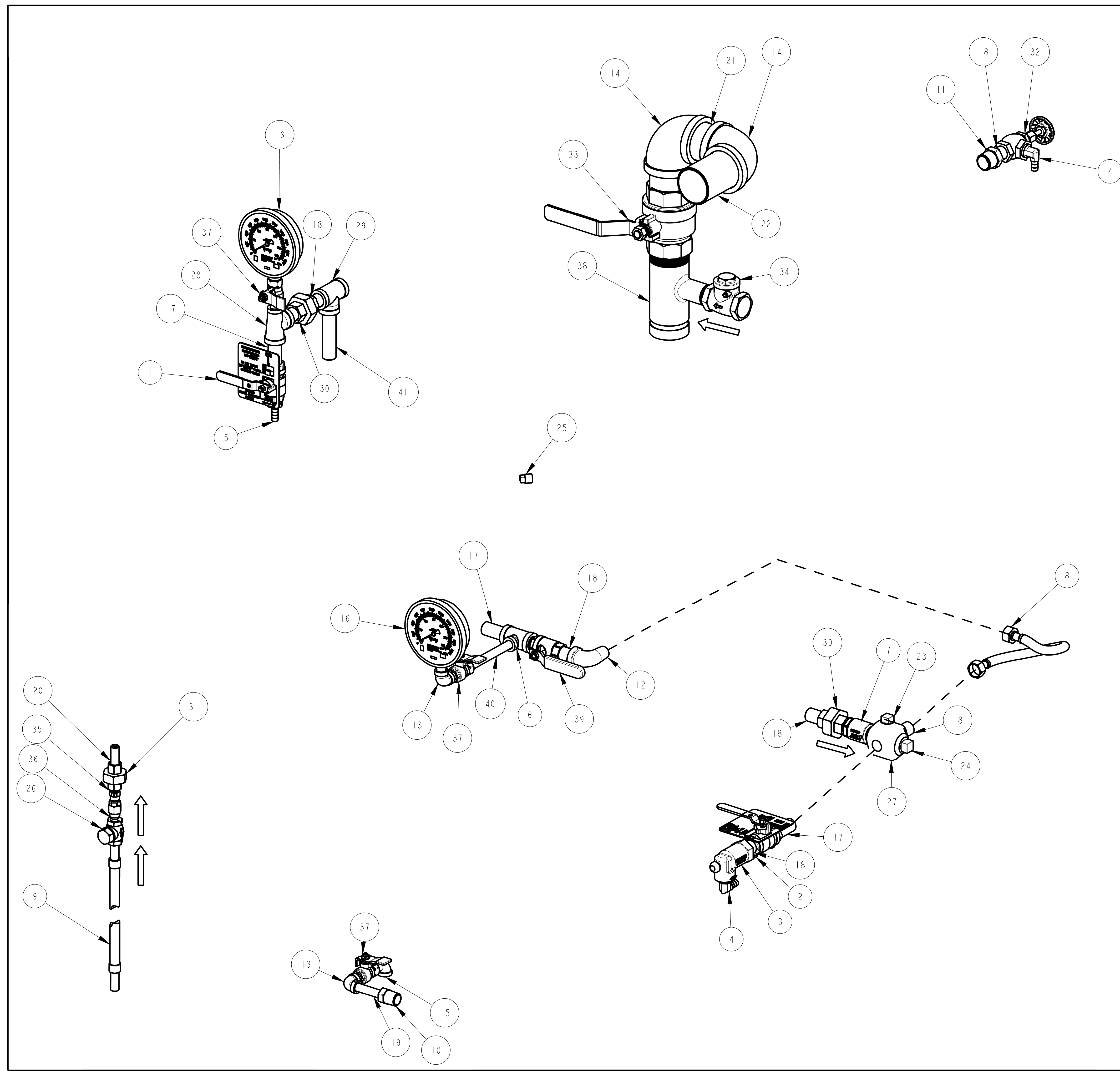
FOR SEGMENTALLY ASSEMBLED, SEPARATE SEGMENT AT THIS UNION. ATTACH 1/2 OF THE UNION TO "BASIC TRIM" SEGMENT.



BILL OF MATERIALS

ITEM NO.	PART NO.	DESCRIPTION	REMARKS	QTY.
----------	----------	-------------	---------	------

REVISIONS			
LTR	DESCRIPTION	DATE	DRAWN BY
	SEE PAGE 1		



MODEL DDX 4", 6", 8" BASIC TRIMS
CA-322
SUBASSEMBLY P/N 77000266 REV. K

ITEM NO.	PART NO.	DESCRIPTION	REMARKS	QTY.
42	95516915	PERMA-LOK	NOT SHOWN	A/R
41	98543216	NIPPLE, STEEL, GALV., 1/2" X 3-1/2"	4" & 6" VERSIONS	1
	98543205	NIPPLE, STEEL, GALV., 1/2" X 9"	8" VERSION	
	98543224	NIPPLE, STEEL, GALV., 1/4" X 4-1/2"	4" & 6" VERSIONS	
40	98543217	NIPPLE, STEEL, GALV., 1/4" X 6"	8" VERSION	1
39	9884011A	VALVE, BALL, 1/2 NPTF x 1/2 NPTM		1
38	9101423B	MANIFOLD, 2 X 2 X 1, GRV/THD/THD		1
37	98840237	VALVE, BALL, 1/4" NPTF x 1/4" NPTM		3
36	98840188	VALVE, CHECK, 1/4" NPTM x 1/4" NPTF		1
35	98840147	CHECK VALVE, 1/4, NPT, POPPET TYPE INLINE		1
34	98840145	SWING CHECK VALVE, 1" NPT		1
33	98840136	VALVE, BALL, 2"		1
32	98840103	VALVE, ANGLE, 1/2"		1
31	98815201	UNION, 1/4, IRON, G. J., GALV.		1
30	98815200	UNION, 1/2, IRON, G. J., GALV.		2
29	98761651	TEE, 1/2X1/2X1/2, GALVANIZED		1
28	98761649	TEE, 1/2X1/4X1/2, GALVANIZED		1
27	98751005	FITTING, MULTIPORT, 3/4x1/2x1/2x1/2x1/2		1
26	98727607	STRAINER, 1/4"		1
25	98614403	PIPE, PLUG, IRON, SQUARE HEAD, 1/4		1
24	98614401	PIPE, PLUG, IRON, SQUARE HEAD, 3/4		1
23	98604406	PIPE, PLUG, IRON, SQUARE HEAD, 1/2		1
22	98543262	NIPPLE, 2X3-1/2, GALVANIZED STEEL		1
21	98543238	NIPPLE, 2XCLOSE, GALVANIZED STEEL		2
20	98543226	NIPPLE, 1/4X1-1/2, GALVANIZED STEEL		1
19	98543225	NIPPLE, 1/4X2-1/2, GALVANIZED STEEL		1
18	98543223	NIPPLE, 1/2X1-1/2, GALVANIZED STEEL		7
17	98543209	NIPPLE, 1/2X2, GALVANIZED STEEL		3
16	98248001	GAUGE, WATER PRESSURE (0-300 PSI)		2
15	98174408	ELBOW, STREET, 1/4", GALV.		1
14	98174405	ELBOW, 2", MALL IRON, GALV.		2
13	98174404	ELBOW, 1/4", MALL IRON, GALV.		2
12	98174400	ELBOW, STREET, 1/2", GALV.		1
11	98048022	BUSHING, REDUCER, 3/4X1/2, GALVANIZED		1
10	98048000	BUSHING, REDUCER, 1/2X1/4, GALVANIZED		1
9	96920944	HOSE, FLEXIBLE, STAINLESS STEEL, 1/4 NPT X 18 LONG		1
8	96920912	FLEX LINE, 12		1
7	96816906	VALVE, CHECK, MALE 1/2, MALE 1/2		1
6	96606607	TEE, 1/2X1/2X1/4, GALVANIZED		1
5	92056810	CONNECTOR, 3/8" ID TUBE x 1/2" NPT		1
4	92056704	CONNECTOR, ELBOW, 3/8" ID TUBE x 1/2" NPT		2
3	78653800	ASSEMBLY, BALL DRIP, 1/2"		1
2	78653004	ASSEMBLY, VALVE CAUTION STATION, 1/2"		1
1	78653000	ASSEMBLY, MANUAL EMERGENCY STATION		1
ITEM NO.	PART NO.	DESCRIPTION	REMARKS	QTY.

BILL OF MATERIALS

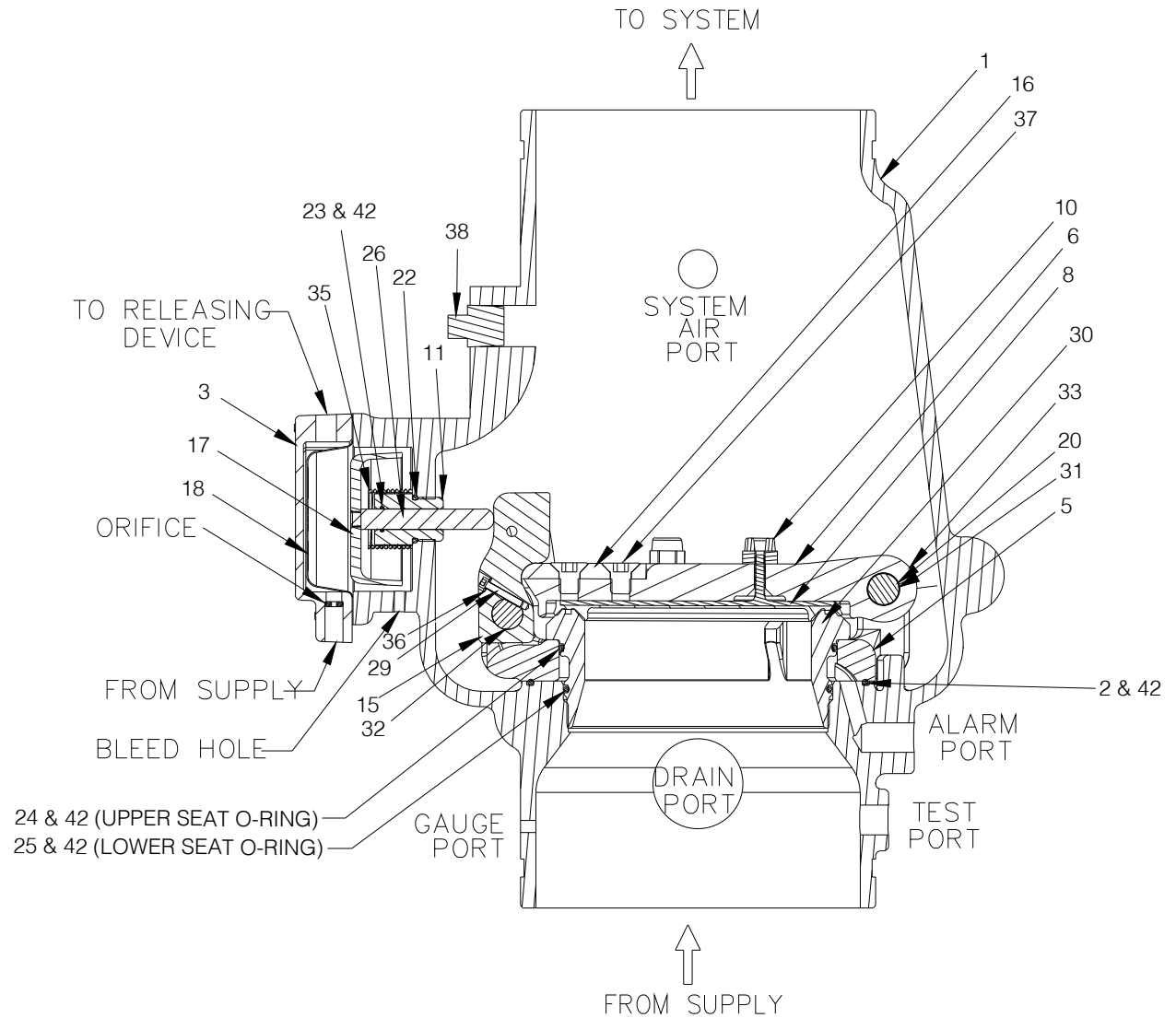
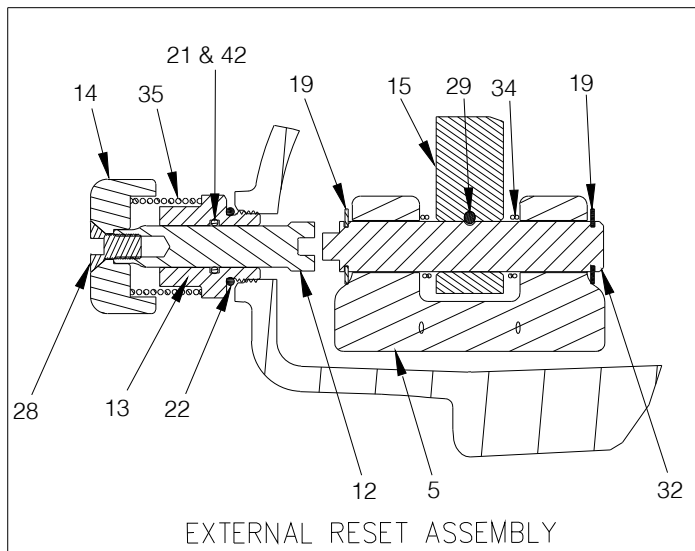
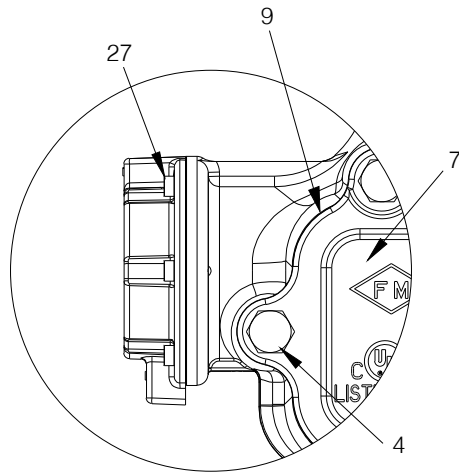
THIS DRAWING CONTAINS INFORMATION PROPRIETARY TO THE RELIABLE AUTOMATIC SPRINKLER CORP. IT MAY NOT BE REPRODUCED NOR MAY ANY INFORMATION HEREON BE DISCLOSED TO OTHERS WITHOUT THE SPECIFIC WRITTEN PERMISSION OF RELIABLE.

MTL: N/A
 FINISH:
 DO NOT SCALE DRAWING
 REMOVE BURRS, BREAK SHARP EDGES
 TOLERANCE UNLESS OTHERWISE SPECIFIED:
 ANGLE ± 1/2° 63'
 MACH. FINISH
 CONC. TIR
 SQUARENESS - PARALLELISM

THE RELIABLE AUTOMATIC SPRINKLER CO., INC.
 LIBERTY, S.C.
 PART NO: 77000266 DWG. SIZE: D
 PART: SUB-ASSEMBLY, TRIM, BASE, GALVANIZED PIPE
 PRODUCT: DDX 4", 6", 8"
 FILE NO: 77000266 ENG: JJ DRW BY: PH C'K'D:
 SCALE: 1:3 DATE: 07/13/17 SHEET 2 of 2

MODEL DDX VALVE WITH STAINLESS STEEL SCREW-IN SEAT

IMPORTANT NOTE: Early generation 4" and 6" DDX valves may incorporate a brass drop-in seat. Prior to ordering replacement parts, confirm the presence of a stainless steel screw-in seat or brass drop-in seat. For replacement parts for valves with brass drop-in seat, please contact Reliable Sprinkler Company Technical Services (techserv@reliablesprinkler.com)



Model DDX (Screw-In Seat Configuration) Deluge Valves Parts List

Item No.	Part No.								Part Description	QTY.	Material
	2" (50mm)	2½" (65mm)	76mm	3" (80mm)	4" (100mm)	165mm	6" (150mm)	8" (200mm)			
1	91006011	91006012	91006023	91006013	91006005	91006027	91006007	91006028	Valve Body Groove/Groove	1	Ductile Iron 65-45-12
	N/A	N/A	N/A	N/A	91006045	N/A	91006067	N/A	Valve Body Flange/Groove		
	N/A	N/A	N/A	N/A	91006035	N/A	91006037	91006039	Valve Body Flange/Flange		
2	N/A	N/A	N/A	N/A	N/A	N/A	N/A	95406414	O-ring (Mounting Ring)	1	Buna-N
3	71040416								Pushrod Cover Assembly	1	Ductile Iron 65-45-12 & Brass C360000
4	91106123			N/A	N/A	N/A	N/A		Hex Bolt ½"-13 x 1¼"	6	Zinc Plated Steel
	N/A			95606107	N/A	N/A	N/A		Hex Bolt ½"-13 x 1½"	6	
	N/A			N/A	91106006	N/A	N/A		Hex Bolt ⅝"-11 x 1¾"	6	
	N/A			N/A	N/A	N/A	95606110		Hex Bolt ⅝"-11 x 2"	8	
5	91306013			91306014	91306016	91306018		Mounting Ring	1	Stainless Steel CF8 or CF8M	
6	91916003			91916014	91916016	91916008		Clapper	1	Stainless Steel CF8 or CF8M	
7	92116063			92116064	92116065	92116066	92116068	Access Cover	1	Ductile Iron 65-45-12	
8	93416003			93416014	93416016	93416008		Seal Assembly	1	Stainless Steel 304 & EPDM	
9	93706003			93706004	93706006	93706008		Access Cover Gasket	1	Buna-N or Neoprene	
10	93722000			93722000	N/A	N/A		Bumpstop Assembly	1	Stainless Steel UNS S31600 & EPDM	
	N/A			N/A	93722000	N/A			2		
	N/A			N/A	N/A	93722000			3		
11	93916006			93916006	N/A		N/A		Pushrod Guide	1	Acetal
12	93916006			93916006	N/A		N/A		Reset Shaft	1	Brass UNS C36000
13	94106006			94106006	N/A		N/A		Reset Housing	1	Brass UNS C36000
14	94356006			94356006	N/A		N/A		Reset Knob	1	Aluminum 6061
15	94506003			94506004	94506016	94506008		Lever	1	Stainless Steel UNS S17400	
16	95006414			94006412	95006410	95006410		Striker	1	Aluminum Bronze C95400	
17	95106006			95106006	N/A		N/A		Piston	1	Stainless Steel CF8M
18	95276006			95276006	N/A		N/A		Diaphragm	1	EPDM & Polyester
19	95306267			N/A	N/A	N/A		Retaining Ring, ⅜" Shaft, Lever Pin	2	Stainless Steel 15-7 or 17-7	
	N/A			95306267	N/A	N/A		Retaining Ring, ½" Shaft, Lever Pin			
	N/A			N/A	95306269	N/A		Retaining Ring, ⅝" Shaft, Lever Pin			
	N/A			N/A	N/A	95316408		Retaining Ring, ¾" Shaft, Lever Pin			
20	95306268			N/A	N/A	N/A		Retaining Ring, ⅝" Shaft, Hinge Pin	2	Stainless Steel 15-7 or 17-7	
	N/A			95306267	95306267	N/A		Retaining Ring, ½" Shaft, Hinge Pin			
	N/A			N/A	N/A	95316408		Retaining Ring, ¾" Shaft, Hinge Pin			
21	95406007			95406007	N/A		N/A		O-Ring, Reset Housing ID	1	Buna-N
22	95406024			95406024	N/A		N/A		O-Ring, Reset Housing & Pushrod Guide OD	2	Buna-N
23	95406407			95406407	N/A		N/A		O-Ring, Pushrod Guide ID	1	Buna-N
24	95406410			95406409	95436126	95406413		O-Ring, Upper Seat	1	Buna-N	
25	95406411			95406420	95446226	95406412		O-Ring, Lower Seat	1	Buna-N	
26	95506006			95506006	N/A		N/A		Pushrod	1	Stainless Steel UNS S30300
27	95606114			95606114	N/A		N/A		Socket Head Screw, ¼"-20 x ⅝"	6	Steel
28	95606127			95606127	N/A		N/A		Flat Head Socket Cap Screw ⅜"-16 x ¾"	1	Steel
29	95606133			N/A	N/A	N/A		Socket Head Screw #6-32 x ½"	1	Stainless Steel 18-8	
	N/A			95606130	95606130	95606130		Socket Head Screw #10-32 x 1"		Stainless Steel UNS S31600	
30	96016003			96016014	96016016	96016008		Seat	1	Stainless Steel CF8M	
31	96206003			N/A	N/A	N/A		Hinge Pin	1	Stainless Steel UNS S30400	
	N/A			96216086	9216086	96206008				Stainless Steel UNS S21800	
32	96216003			N/A	N/A	N/A		Lever Pin	1	Stainless Steel UNS S17400	
	N/A			96216044	96216047	96216008				Stainless Steel UNS S21800	
33	96310003			96906904	96906904	96310008		Clapper Spacer	2	Teflon or Acetal	
34	96406003			N/A	N/A	N/A		Lever Spring	1	Stainless Steel UNS S30400	
	N/A			96406004	96406005	96406008				Stainless Steel UNS S31600	
35	96406906			96406906	N/A		N/A		Piston/ Reset Spring	2	Stainless Steel UNS S31600
36	96906112			N/A	N/A	N/A		Spring Lock Washer, #6	1	Stainless Steel 18-8	
	N/A			96906111	96906111	96906111		Spring Lock Washer, #10		Stainless Steel UNS S31600	
37	95606140			N/A	N/A	N/A		Flat Head Socket Cap Screw ¼"-20 x ½"	2	Stainless Steel 18-8	
	N/A			95606139	N/A	N/A				Stainless Steel UNS S31600	
	N/A			N/A	N/A	95606135		Flat Head Socket Cap Screw ½"-13 x ¾"		Stainless Steel UNS S31600	
38	98604402			98604402	N/A		N/A		Plug, ½" NPT	1	Steel
39	94616921			94616921	N/A		N/A		Knob Caution Label (Not Shown)	1	Polystyrene
40	91556922			91556922	N/A		N/A		Ball Chain, 1/8" (Not Shown) (Length is in Inches)	6	Nickel Plated Brass
41	91556923			91556923	N/A		N/A		Clamping Link, Ball Chain (Not Shown)	1	
42	699993406			699993406	N/A		N/A		O-Ring Grease, Dupont™ Krytox® GPL-205	A/R	Krytox®