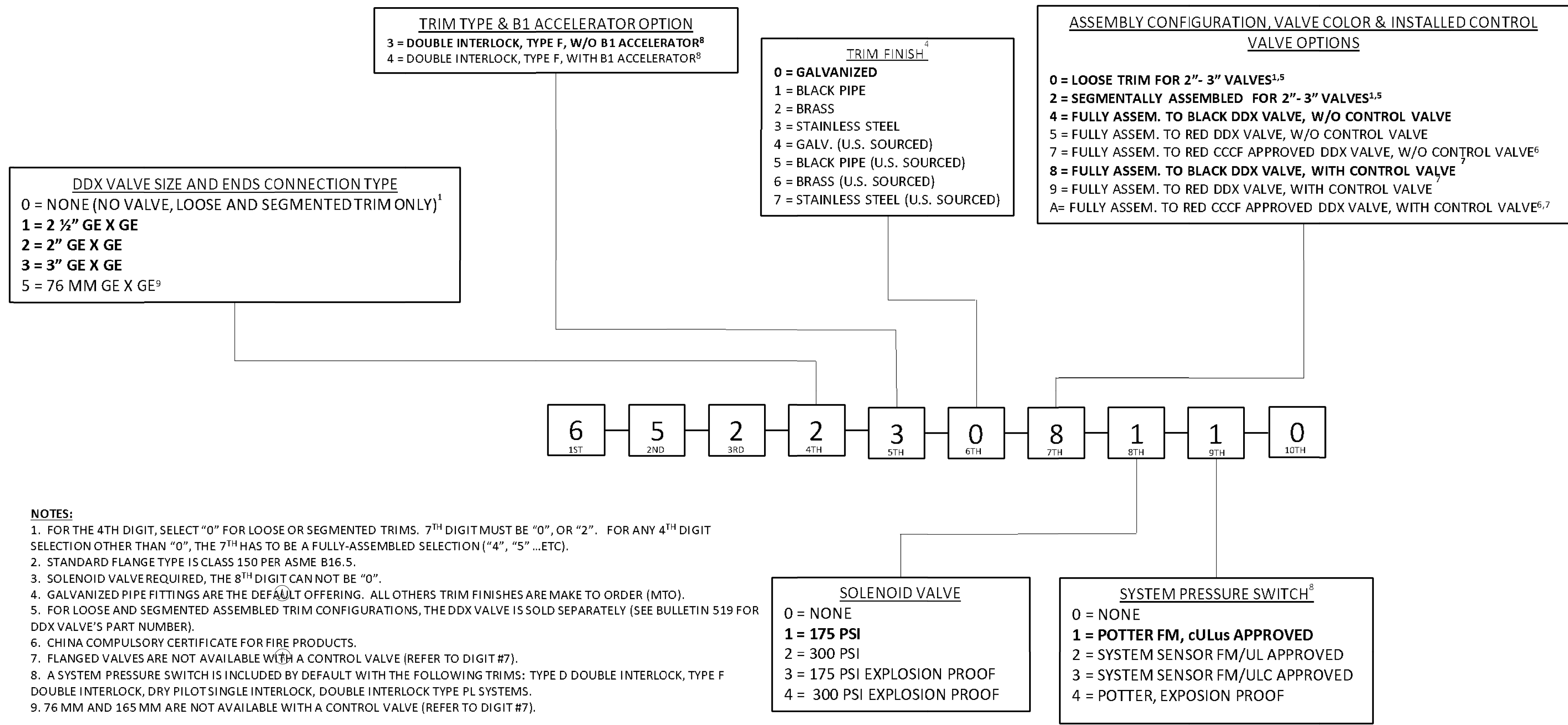


### DDX VALVE TRIMS PART NUMBER CONFIGURATION

SELECTIONS IN **BOLD>** ARE STANDARD OPTIONS

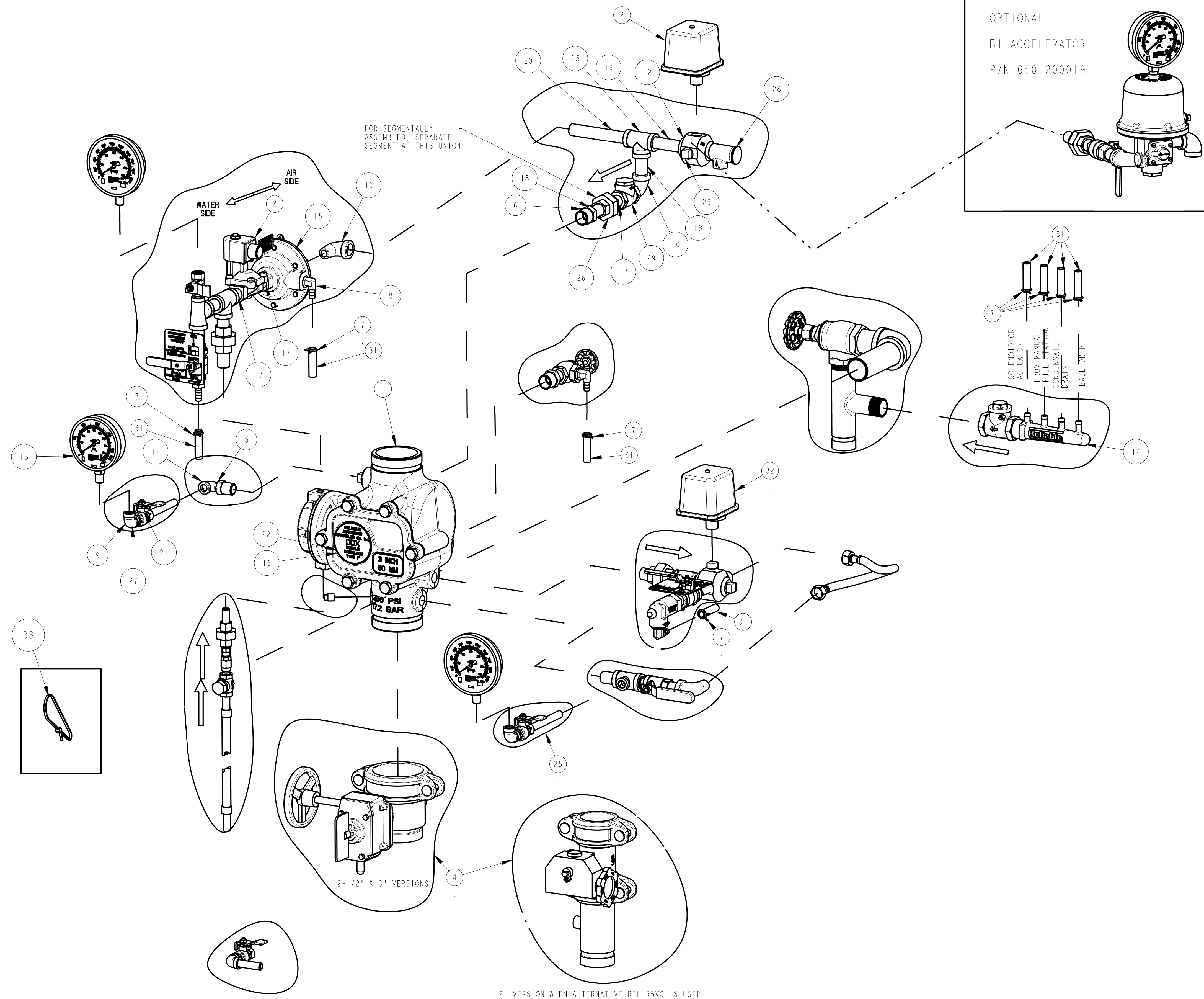


#### DDX VALVE PART NUMBER TABLE

DDX VALVE	VALVE PART NUMBER	DRAWING FILE NUMBER
2" DUCTILE IRON G/G BLACK	6103022000	6103030000
2" DUCTILE IRON G/G RED	6103022001	
2-1/2" DUCTILE IRON G/G BLACK	6103022500	
2-1/2" DUCTILE IRON G/G RED	6103022501	
3" DUCTILE IRON G/G BLACK	6103030000	
3" DUCTILE IRON G/G RED	6103030001	
76MM DUCTILE IRON G/G RED	6103027600	

#### MODEL DDX 2"-3" DELUGE DOUBLE INTERLOCK TYPE F CA-191 P/N 89241153 ASSEMBLY P/N 6520300110 REV. H

ITEM NO.	PART NO.	DESCRIPTION	QTY.
33	89141112	TIE, RETAINING	9
	6990012997	SWITCH, POTTER PRESSURE (PS10-EX)	(ULC, UL, FM)
	6990006382	SWITCH, POTTER PRESSURE (PS10-2)	(ULC, UL, FM)
32	699992360	SWITCH, PRESSURE (EPSA10-2)	(ULC)
	6999991212	SWITCH, PRESSURE (EPS10-2)	(UL/FM)
31	96686756	TUBING, PVC, 3/8" I.D. x 6 FT.	1
30	95516915	PERMA-LOK	NOT SHOWN
29	98840181	HORIZ. SWING CHECK VALVE, 1/2" NPT	A/R
28	98840228	VALVE, RELIEF, 1/2", 50 PSI	1
27	98840237	VALVE, BALL, 1/4" NPTF x 1/4" NPTM	1
26	98815204	UNION, ORING SEAL, GALV., 1/2"	1
25	98761651	TEE, 1/2X1/2X1/2, GALVANIZED	1
24	77000263	SUB-ASSEMBLY, TRIM, BASE, GALVANIZED PIPE	1
23	98604406	PIPE, PLUG, IRON, SQUARE HEAD, 1/2"	1
22	99080002	PAD-ADHESIVE, VALVE NAME PLATES	1
21	98543243	NIPPLE, 1/4X4, GALVANIZED STEEL	1
20	98543219	NIPPLE, 1/2X5, GALVANIZED STEEL	1
19	98543230	NIPPLE, 1/2X3, GALVANIZED STEEL	1
18	98543209	NIPPLE, 1/2X2, GALVANIZED STEEL	2
17	98543223	NIPPLE, 1/2X1-1/2, GALVANIZED STEEL	3
16	94616919	NAMEPLATE, DOUBLE INTERLOCK, TYPE F	1
15	71630010	MODEL LP PILOT LINE ACTUATOR	1
14	91004299	MANIFOLD, DRAIN, BARBED, 6-3/16	1
13	98248000	GAUGE, AIR PRESSURE (0-80 PSI)	1
12	98751004	FITTING, MULTIPORT, 1/2X1/2X1/2X1/2	1
11	98174408	ELBOW, STREET, 1/4", GALV.	1
10	98174400	ELBOW, STREET, 1/2", GALV.	2
9	98174404	ELBOW, 1/4", MALL IRON, GALV.	1
8	92056704	CONNECTOR, ELBOW, 3/8" ID TUBE x 1/2" NPT	1
7	95306255	CLAMP, HOSE, 1/2" CONSTANT TENSION, ZINC	8
6	98048022	BUSHING, REDUCER, 3/4X1/2, GALVANIZED	1
5	98048000	BUSHING, REDUCER, 1/2X1/4, GALVANIZED	1
	77000303	SUBASSEMBLY, CONTROL VALVE, 3"	
	77000302	SUBASSEMBLY, CONTROL VALVE, 2-1/2"	FULLY ASSEMBLED WITH CONTROL VALVE ONLY
	77000301	SUBASSEMBLY, CONTROL VALVE, 2"	
	681020033	VALVE, SOLENOID (300 PSI) EXPLOSION PROOF	300 PSI EX. PROOF
	6999990322	VALVE, SOLENOID (175 PSI) EXPLOSION PROOF	175 PSI EX. PROOF
3	681020020	VALVE, SOLENOID (300 PSI)	300 PSI RATED
	681020000	VALVE, SOLENOID (175 PSI)	175 PSI RATED
	6990003756	SWITCH, POTTER PRESSURE (PS40-EX)	(ULC, UL, FM)
	6990019313	SWITCH, POTTER PRESSURE (PS25-2)	(ULC, UL, FM)
2	699992361	SWITCH, PRESSURE (EPSA40-2)	(ULC)
	6999991340	SWITCH, PRESSURE (EPS40-2)	(UL/FM)



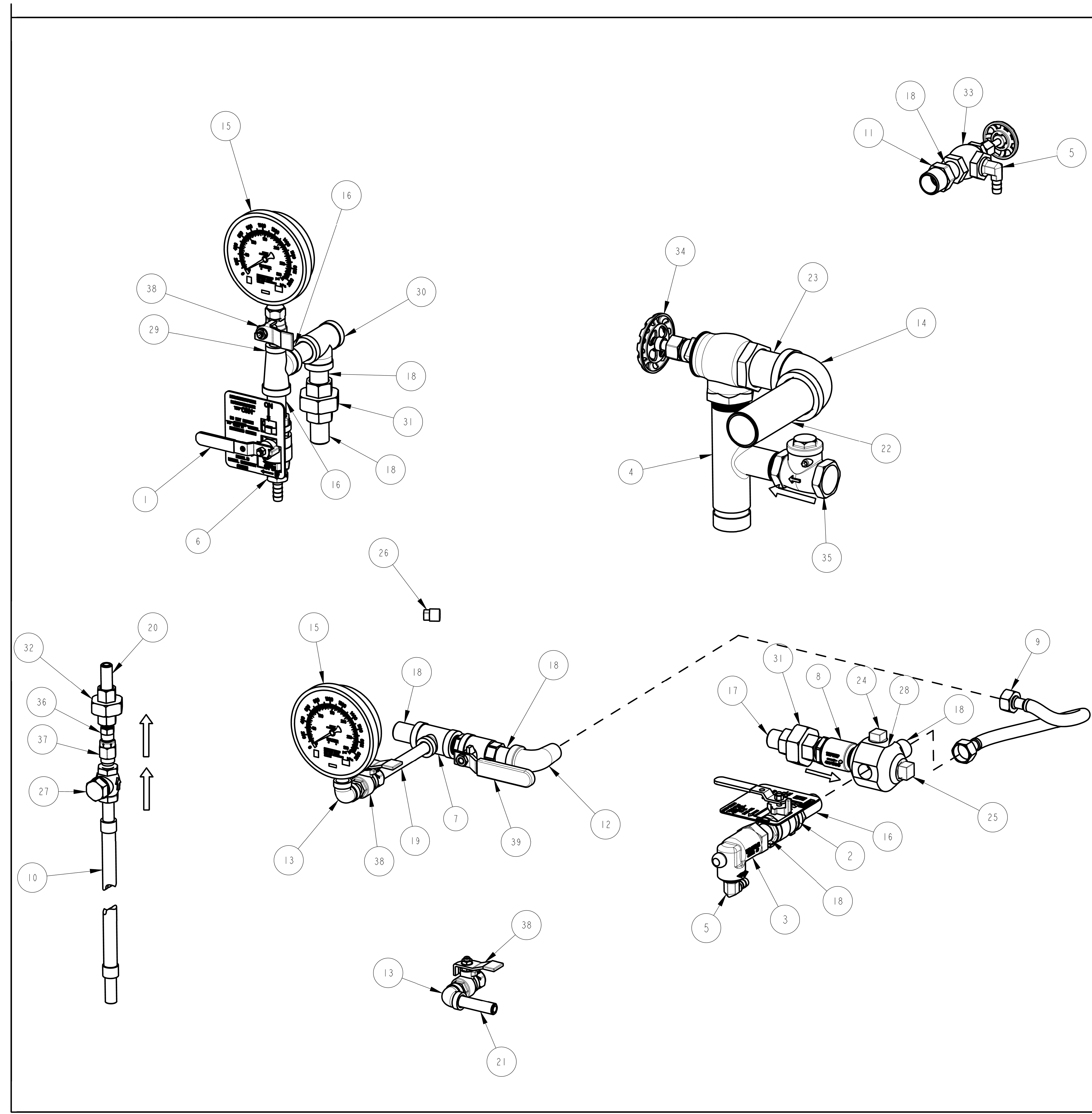
ITEM NO.	PART NO.	DESCRIPTION	QTY.
----------	----------	-------------	------

#### BILL OF MATERIALS

THIS DRAWING CONTAINS INFORMATION PROPRIETARY TO THE RELIABLE AUTOMATIC SPRINKLER CO. INC. IT MAY NOT BE REPRODUCED NOR MAY ANY INFORMATION HEREON BE DISCLOSED TO OTHERS WITHOUT THE SPECIFIC WRITTEN PERMISSION OF RELIABLE.

MTL N/A	THE RELIABLE AUTOMATIC SPRINKLER CO. INC. LIBERTY, SC		
FINISH	PART NO. VARIOUS	OWG-SIZE E	
DO NOT SCALE DRAWING REMOVE BURRS. BREAK SHARP EDGES TOLERANCE UNLESS OTHERWISE SPECIFIED: ANGLE = 1/2° ± 63° MACH FINISH CONC. TIR SQUARENESS - PARALLELISM	PRODUCT: DDX, 2", 2 1/2", 3" DEC XX ± 00 10 25 DEC XXX ± 005 025 8540-7	FILE NO. ENG JJ SCALE: 1:4	DATE: 12/08/17 SHEET 2 of 3

REVISIONS			
LTR	DESCRIPTION	DATE	DRAWN BY
	SEE PAGE 1		



MODEL DDX 2"-3" BASIC TRIMS  
 CA-323  
 SUBASSEMBLY P/N 77000263 REV. E

ITEM NO.	PART NO.	DESCRIPTION	REMARKS	QTY.
40	95516915	THREAD, SEALANT	NOT SHOWN	A/R
39	9884011A	VALVE, BALL, 1/2 NPTF X 1/2 NPTM		1
38	98840237	VALVE, BALL, 1/4" NPTF x 1/4" NPTM		3
37	98840188	VALVE, CHECK, 1/4" NPTM x 1/4" NPTF		1
36	98840147	CHECK VALVE, 1/4, NPT, POPPET TYPE INLINE		1
35	98840145	SWING CHECK VALVE, 1" NPT		1
34	98840106	VALVE, ANGLE, 1 1/4		1
33	98840103	VALVE, ANGLE, 1/2"		1
32	98815201	UNION, 1/4, IRON, G. J., GALV.		1
31	98815200	UNION, 1/2, IRON, G. J., GALV.		2
30	98761651	TEE, 1/2X1/2X1/2, GALVANIZED		1
29	98761649	TEE, 1/2X1/4X1/2, GALVANIZED		1
28	98751005	FITTING, MULTIPOINT, 3/4x1/2x1/2x1/2x1/2		1
27	98727607	STRAINER, 1/4"		1
26	98614403	PIPE, PLUG, IRON, SQUARE HEAD, 1/4		1
25	98614401	PIPE, PLUG, IRON, SQUARE HEAD, 3/4		1
24	98604406	PIPE, PLUG, IRON, SQUARE HEAD, 1/2		1
23	98543285	NIPPLE, 1-1/4XCLOSE, GALVANIZED STEEL		1
22	98543284	NIPPLE, 1-1/4X5, GALVANIZED STEEL		1
21	98543244	NIPPLE, 1/4X2, GALVANIZED STEEL		1
20	98543226	NIPPLE, 1/4X1-1/2, GALVANIZED STEEL		1
19	98543224	NIPPLE, 1/4X4-1/2, GALVANIZED STEEL		1
18	98543223	NIPPLE, 1/2X1-1/2, GALVANIZED STEEL		7
17	98543212	NIPPLE, 1/2XCLOSE, GALVANIZED STEEL		1
16	98543209	NIPPLE, 1/2X2, GALVANIZED STEEL		3
15	98248001	GAUGE, WATER PRESSURE (0-300 PSI)		2
14	98174414	ELBOW, 1-1/4", MALL IRON, GALV.		1
13	98174404	ELBOW, 1/4", MALL IRON, GALV.		2
12	98174400	ELBOW, STREET, 1/2", GALV.		1
11	98048022	BUSHING, REDUCER, 3/4X1/2, GALVANIZED		1
10	96920944	HOSE, FLEXIBLE, STAINLESS STEEL, 1/4 NPT X 18 LONG		1
9	96920912	FLEX LINE, 12		1
8	96816906	VALVE, CHECK, MALE 1/2, MALE 1/2		1
7	96606607	TEE, 1/2X1/2X1/4, GALVANIZED		1
6	92056810	CONNECTOR, 3/8" ID TUBE x 1/2" NPT		1
5	92056704	CONNECTOR, ELBOW, 3/8" ID TUBE x 1/2" NPT		2
4	9101423C	MANIFOLD, 1-1/4 X 1-1/4 X 1, GRV/THD/THD		1
3	78653800	ASSEMBLY, BALL DRIP, 1/2"		1
2	78653004	ASSEMBLY, VALVE CAUTION STATION, 1/2"		1
1	78653000	ASSEMBLY, MANUAL EMERGENCY STATION		1

BILL OF MATERIALS

MTL N/A	THE RELIABLE AUTOMATIC SPRINKLER CO., INC. LIBERTY, S.C.			
FINISH	PART NO. 77000263	DWG. SIZE: D		
DO NOT SCALE DRAWING REMOVE BURRS, BREAK SHARP EDGES TOLERANCE UNLESS OTHERWISE SPECIFIED: ANGLE ± 1/2° 63' MACH. FINISH CONC. T.I.R. SQUARENESS - PARALLELISM	PART: SUB-ASSEMBLY, TRIM, BASE, GALVANIZED PIPE			
	PRODUCT: DDX 2"-3"			
	FILE NO. 77000263	ENG: JJ	DRW BY: PH	CKD:
	SCALE: 1:3	DATE: 04/25/13	SHEET 2 of 2	

THIS DRAWING CONTAINS INFORMATION PROPRIETARY TO THE RELIABLE AUTOMATIC SPRINKLER CORP. IT MAY NOT BE REPRODUCED NOR MAY ANY INFORMATION HEREON BE DISCLOSED TO OTHERS WITHOUT THE SPECIFIC WRITTEN PERMISSION OF RELIABLE.

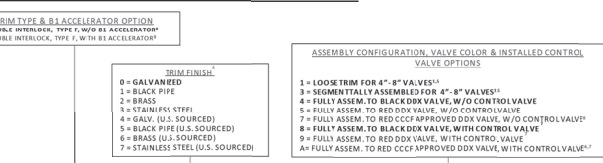
**DDX VALVE PART NUMBER TABLE**

DDX VALVE	VALVE PART NUMBER	DRAWING FILE NUMBER
4" DUCTILE IRON G/G BLACK	5103040026	
4" DUCTILE IRON G/G RED	5103040030	
4" DUCTILE IRON F/F CLASS 150 BLACK	5103040044	
4" DUCTILE IRON F/F CLASS 150 RED	5103040046	
4" DUCTILE IRON F/F PN16 RED	5103040048	6103040026
4" DUCTILE IRON F/F CLASS 150 BLACK	5103040045	
4" DUCTILE IRON F/F CLASS 150 RED	5103040047	
4" DUCTILE IRON F/F PN16 RED	5103040049	
6" DUCTILE IRON G/G BLACK	5103060024	
6" DUCTILE IRON G/G RED	5103060030	
6" DUCTILE IRON F/G CLASS 150 BLACK	5103060045	
6" DUCTILE IRON F/G CLASS 150 RED	5103060048	
6" DUCTILE IRON F/G PN16 RED	5103060049	6103060024
6" DUCTILE IRON F/F CLASS 150 BLACK	5103060046	
6" DUCTILE IRON F/F CLASS 150 RED	5103060047	
6" DUCTILE IRON F/F PN16 RED	5103060050	
165MM DUCTILE IRON G/G RED	5103060028	
165MM DUCTILE IRON F/G CLASS 150 RED	5103060051	6103060024
165MM DUCTILE IRON F/G PN16 RED	5103060052	
8" DUCTILE IRON G/G BLACK	5103080001	
8" DUCTILE IRON G/G RED	5103080003	
8" DUCTILE IRON F/F CLASS 150 BLACK	5103080016	6103080001
8" DUCTILE IRON F/F CLASS 150 RED	5103080018	
8" DUCTILE IRON F/F PN16 RED	5103080020	

**DDX VALVE SIZE AND END/SEGMENTATION TYPE**  
 0 = NONE (NO VALVE, LOOSE AND SEGMENTED TRIM ONLY)  
 4 = 4" G X GE  
 6 = 6" G X GE  
 7 = 165 MM G X GE  
 8 = 8" G X GE  
 A = 4" FLANGE INLET X G OUTLET  
 B = 4" FLANGE INLET X FLANGE OUTLET  
 C = 4" PN16 FLANGE INLET X G OUTLET  
 D = 4" PN16 FLANGE INLET X PN16 FLANGE OUTLET  
 E = 6" FLANGE INLET X G OUTLET  
 F = 6" FLANGE INLET X FLANGE OUTLET  
 G = 6" PN16 FLANGE INLET X G OUTLET  
 H = 6" PN16 FLANGE INLET X PN16 FLANGE OUTLET  
 I = 165 MM FLANGE INLET X G OUTLET  
 J = 165 MM PN16 FLANGE INLET X G OUTLET  
 K = 8" FLANGE INLET X G OUTLET  
 L = 8" PN16 FLANGE INLET X PN16 FLANGE OUTLET

**DDX VALVE TRIMS PART NUMBER CONFIGURATION**

SELECTIONS IN BOLD ARE STANDARD OPTIONS



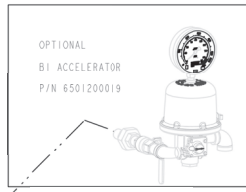
- NOTES:**
- FOR THE 4TH DIGIT, SELECT "0" FOR LOOSE OR SEGMENTED TRIMS. 7TH DIGIT MUST BE "1", OR "3". FOR ANY 4TH DIGIT SELECTION OTHER THAN "0", THE 7TH DIGIT IS TO BE FULLY ASSEMBLED SELECTION ("4", "5", "8").
  - STANDARD FLANGE TYPE IS CLASS 150 PER ANSI B16.5.
  - SOLENOID VALVE REQUIRED, THE 8TH DIGIT CAN NOT BE "0".
  - GALVANNEED PIPE FITTINGS ARE THE DEFAULT OFFERING. ALL OTHER TRIM FINISHES ARE MADE TO ORDER (MTO).
  - FOR LOOSE AND SEGMENTED ASSEMBLED TRIM CONFIGURATIONS, THE DDX VALVE IS SOLD SEPARATELY (SEE BULLETIN 519 FOR DDX VALVE'S PART NUMBERS).
  - CHINA COMPULSORY CERTIFICATE FOR FIRE PRODUCTS.
  - FLANGES AVAILABLE, NOT AVAILABLE WITH A CONTROL VALVE (REFER TO DIGIT #7).
  - A SYSTEM PRESSURE SWITCH IS INCLUDED BY DEFAULT WITH THE FOLLOWING TRIMS: TYPE 0 DOUBLE INTERLOCK, TYPE 4 DOUBLE INTERLOCK, DRY PILET SINGLE INTERLOCK, DOUBLE INTERLOCK TYPE PL SYSTEMS.
  - 76 MM AND 165 MM ARE NOT AVAILABLE WITH A CONTROL VALVE (REFER TO DIGIT #7).

- SOLENOID VALVE!**
- 0 = NONE
  - 1 = 175 PSI
  - 2 = 300 PSI
  - 3 = 175 PSI EXPLOSION PROOF
  - 4 = 300 PSI EXPLOSION PROOF

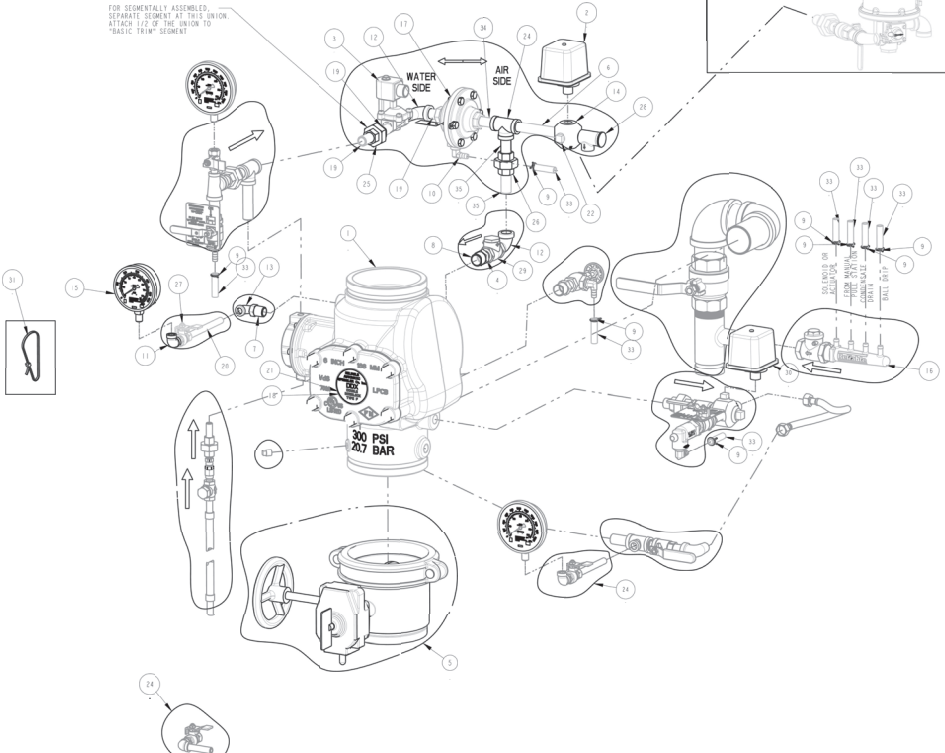
- SYSTEM PRESSURE SWITCH!**
- 0 = NONE
  - 1 = INTER FM, ILLUC APPROVED
  - 2 = SYSTEM SENSOR FM/JLC APPROVED
  - 3 = SYSTEM SENSOR FM/JLC APPROVED
  - 4 = POTTER, EXPLOSION PROOF

**MODEL DDX 4", 6" & 8" DELUGE DOUBLE INTERLOCK TYPE F**  
 CA-149 P/N 39241114  
 ASSEMBLY P/N 652030110 REV. H

FOR SEGMENTALLY ASSEMBLED, SEPARATE SEGMENT AT THIS UNION ATTACH 1/2" OF THE UNION TO TRIM.

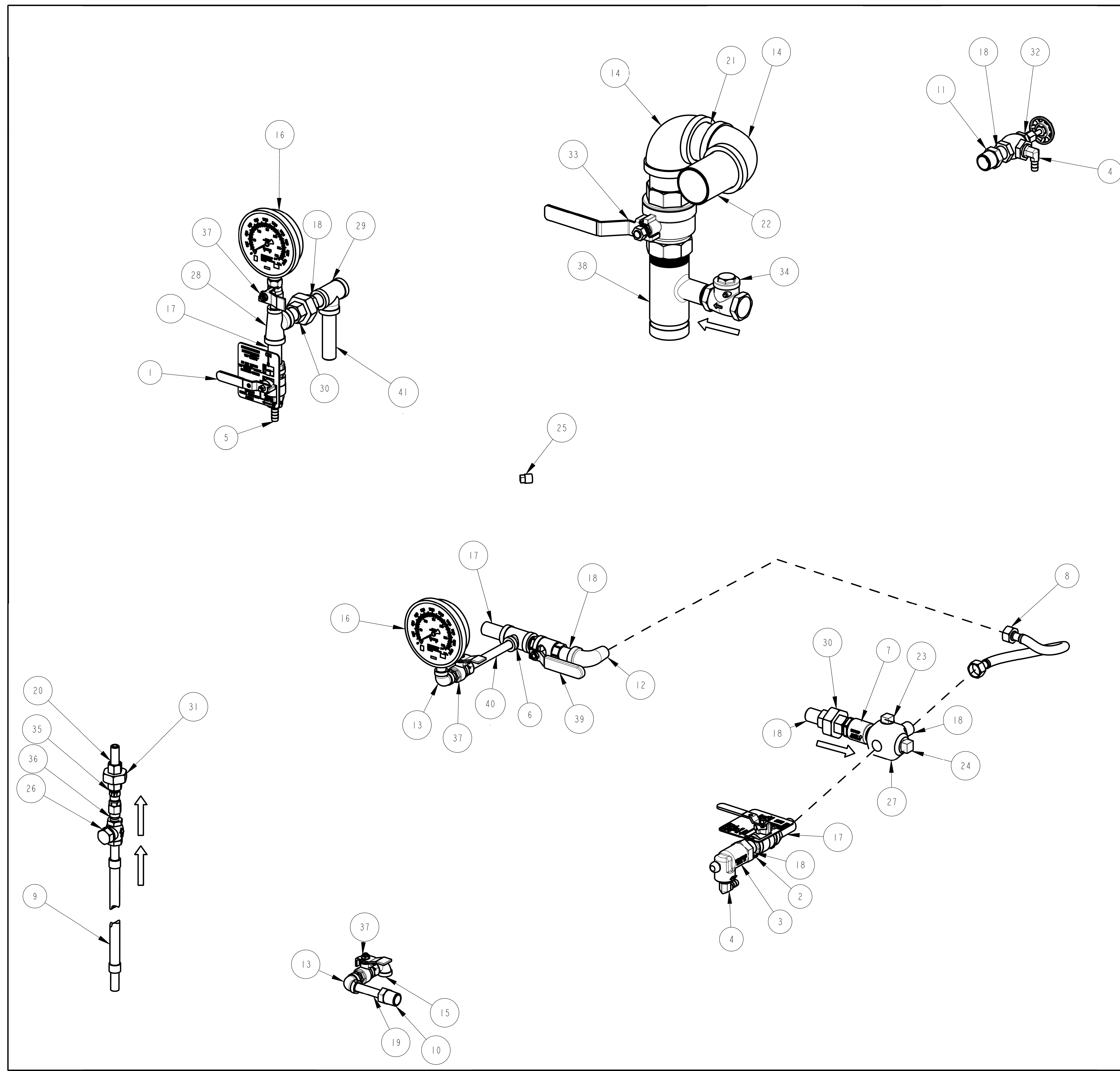


ITEM NO.	PART NO.	DESCRIPTION	REMARKS	QTY.
35	8954309	NIPPLE, STEEL, GALV., 1/2" X 2"		2
34	8954309	NIPPLE, STEEL, GALV., 1/2" X 2"	4" & 6" VERSIONS	1
33	8954320	NIPPLE, STEEL, GALV., 1/2" X 3"	8" VERSION	1
30	8964768	TUBING, PVC, 3/4" ID, 4 FT.		1
32	9515915	PERMA-LOK	NOT SHOWN	4/R
31	8914112	TIE, RETAINING		6
	699006302	SWITCH, POTTER PRESSURE (P310-2)	(ULC, UL, FM)	1
	699006301	SWITCH, POTTER PRESSURE (P310-EX)	(ULC, UL, FM)	1
	699993260	SWITCH, PRESSURE (EP340-2)	(ULC)	1
	699991212	SWITCH, PRESSURE (EP310-2)	(UL/FM)	1
29	8840181	HORIZ. SWING CHECK VALVE, 1/2" NPT		1
28	8840228	VALVE, REL. (1/2", 50 PSI)		1
27	8840237	VALVE, GALS. (1/4" NPT X 1/4" NPT)		1
24	8815204	UNION, ORING SEAL, GALV., 1/2"		1
25	8815200	UNION, 1/2", IRON, G., GALV.		1
24	89761651	TEE, 1/2" X 1/2" X 1/2", GALVANIZED		1
23	71000264	SUB-ASSEMBLY, TRIM, BASE, GALVANIZED PIPE		1
21	9800406	PIPE, PLUG, IRON, SOURCE, HEAD, 1/2"		1
21	9800002	PAD-ADHESIVE, VALVE NAME PLATES		1
20	8954327	NIPPLE, 1/4", GALVANIZED STEEL		1
19	8954329	NIPPLE, 1/2" X 1/2", GALVANIZED STEEL		3
18	34616910	NAMEPLATE, DOUBLE INTERLOCK, TYPE F		1
17	71030010	MODEL LP PILOT LINE ACTUATOR		1
16	91004290	MANIFOLD, BRAIN, BARBED, 6-3/16		1
15	89648009	UNION, AIR, PRESSURE, 1/2" NPT		1
14	96751004	FITTING, MESH FRONT, 1/2" X 1/2" X 1/2" X 1/2"		1
13	88174408	ELBOW, STREET, 1/4", GALV.		1
12	88174400	ELBOW, STREET, 1/2", GALV.		2
11	88174404	ELBOW, 1/2", WALL IRON, GALV.		1
10	92559784	CONNECTOR, ELBOW, 3/4" ID TO 1/2" ID, 1/2" NPT		1
8	95304255	CLAMP, HOSE, 1/2" CONSTANT TENSION, ZINC		8
8	88048022	BUSHING, REDUCER 3/8" X 1/2", GALVANIZED		1
7	88048000	BUSHING, REDUCER 1/2" X 1/2", GALVANIZED		1
6	8954328	NIPPLE, STEEL, GALV., 1/2" X 3"	4" VERSION	1
6	8954328	NIPPLE, STEEL, GALV., 1/2" X 4-1/2"	8" VERSION	1
5	8954304	NIPPLE, STEEL, GALV., 1/2" X 6"	8" VERSION	1
5	77003030	SUBASSEMBLY, CONTROL VALVE, 8"	FULLY ASSEMBLED WITH CONTROL VALVE ONLY	1
	77008100	SUBASSEMBLY, CONTROL VALVE, 4"		1
	77003040	SUBASSEMBLY, CONTROL VALVE, 4"		1
4	89543212	NIPPLE, STEEL, GALV., 1/2" X "CLOSE"		1
3	6871020033	VALVE, SOLENOID (300 PSI) EXPLOSION PROOF	300 PSI ET, PROOF	1
	699999022	VALVE, SOLENOID (175 PSI) EXPLOSION PROOF	175 PSI ET, PROOF	1
	6871020000	VALVE, SOLENOID (300 PSI)	300 PSI RATED	1
	6871020000	VALVE, SOLENOID (175 PSI)	175 PSI RATED	1
	6990003756	SWITCH, POTTER PRESSURE (P340-EX)	(ULC, UL, FM)	1
2	699001913	SWITCH, POTTER PRESSURE (P253-2)	(ULC, UL, FM)	1
	699992961	SWITCH, PRESSURE (EP340-2)	(ULC)	1
	699991340	SWITCH, PRESSURE (EP340-2)	(UL/FM)	1
1	SEE DDX VALVE P/N TABLE			





REVISIONS			
LTR	DESCRIPTION	DATE	DRAWN BY
	SEE PAGE 1		



**MODEL DDX 4", 6", 8" BASIC TRIMS**  
**CA-322**  
**SUBASSEMBLY P/N 77000266 REV. K**

ITEM NO.	PART NO.	DESCRIPTION	REMARKS	QTY.
42	95516915	PERMA-LOK	NOT SHOWN	A/R
41	98543216	NIPPLE, STEEL, GALV., 1/2" X 3-1/2"	4" & 6" VERSIONS	1
	98543205	NIPPLE, STEEL, GALV., 1/2" X 9"	8" VERSION	1
	98543224	NIPPLE, STEEL, GALV., 1/4" X 4-1/2"	4" & 6" VERSIONS	1
40	98543217	NIPPLE, STEEL, GALV., 1/4" X 6"	8" VERSION	1
39	9884011A	VALVE, BALL, 1/2 NPTF x 1/2 NPTM		1
38	9101423B	MANIFOLD, 2 X 2 X 1, GRV/THD/THD		1
37	98840237	VALVE, BALL, 1/4" NPTF x 1/4" NPTM		3
36	98840188	VALVE, CHECK, 1/4" NPTM x 1/4" NPTF		1
35	98840147	CHECK VALVE, 1/4, NPT, POPPET TYPE INLINE		1
34	98840145	SWING CHECK VALVE, 1" NPT		1
33	98840136	VALVE, BALL, 2"		1
32	98840103	VALVE, ANGLE, 1/2"		1
31	98815201	UNION, 1/4, IRON, G. J., GALV.		1
30	98815200	UNION, 1/2, IRON, G. J., GALV.		2
29	98761651	TEE, 1/2X1/2X1/2, GALVANIZED		1
28	98761649	TEE, 1/2X1/4X1/2, GALVANIZED		1
27	98751005	FITTING, MULTIPORT, 3/4x1/2x1/2x1/2x1/2		1
26	98727607	STRAINER, 1/4"		1
25	98614403	PIPE, PLUG, IRON, SQUARE HEAD, 1/4		1
24	98614401	PIPE, PLUG, IRON, SQUARE HEAD, 3/4		1
23	98604406	PIPE, PLUG, IRON, SQUARE HEAD, 1/2		1
22	98543262	NIPPLE, 2X3-1/2, GALVANIZED STEEL		1
21	98543238	NIPPLE, 2XCLOSE, GALVANIZED STEEL		2
20	98543226	NIPPLE, 1/4X1-1/2, GALVANIZED STEEL		1
19	98543225	NIPPLE, 1/4X2-1/2, GALVANIZED STEEL		1
18	98543223	NIPPLE, 1/2X1-1/2, GALVANIZED STEEL		7
17	98543209	NIPPLE, 1/2X2, GALVANIZED STEEL		3
16	98248001	GAUGE, WATER PRESSURE (0-300 PSI)		2
15	98174408	ELBOW, STREET, 1/4", GALV.		1
14	98174405	ELBOW, 2", MALL IRON, GALV.		2
13	98174404	ELBOW, 1/4", MALL IRON, GALV.		2
12	98174400	ELBOW, STREET, 1/2", GALV.		1
11	98048022	BUSHING, REDUCER, 3/4X1/2, GALVANIZED		1
10	98048000	BUSHING, REDUCER, 1/2X1/4, GALVANIZED		1
9	96920944	HOSE, FLEXIBLE, STAINLESS STEEL, 1/4 NPT X 18 LONG		1
8	96920912	FLEX LINE, 12		1
7	96816906	VALVE, CHECK, MALE 1/2, MALE 1/2		1
6	96606607	TEE, 1/2X1/2X1/4, GALVANIZED		1
5	92056810	CONNECTOR, 3/8" ID TUBE x 1/2" NPT		1
4	92056704	CONNECTOR, ELBOW, 3/8" ID TUBE x 1/2" NPT		2
3	78653800	ASSEMBLY, BALL DRIP, 1/2"		1
2	78653004	ASSEMBLY, VALVE CAUTION STATION, 1/2"		1
1	78653000	ASSEMBLY, MANUAL EMERGENCY STATION		1

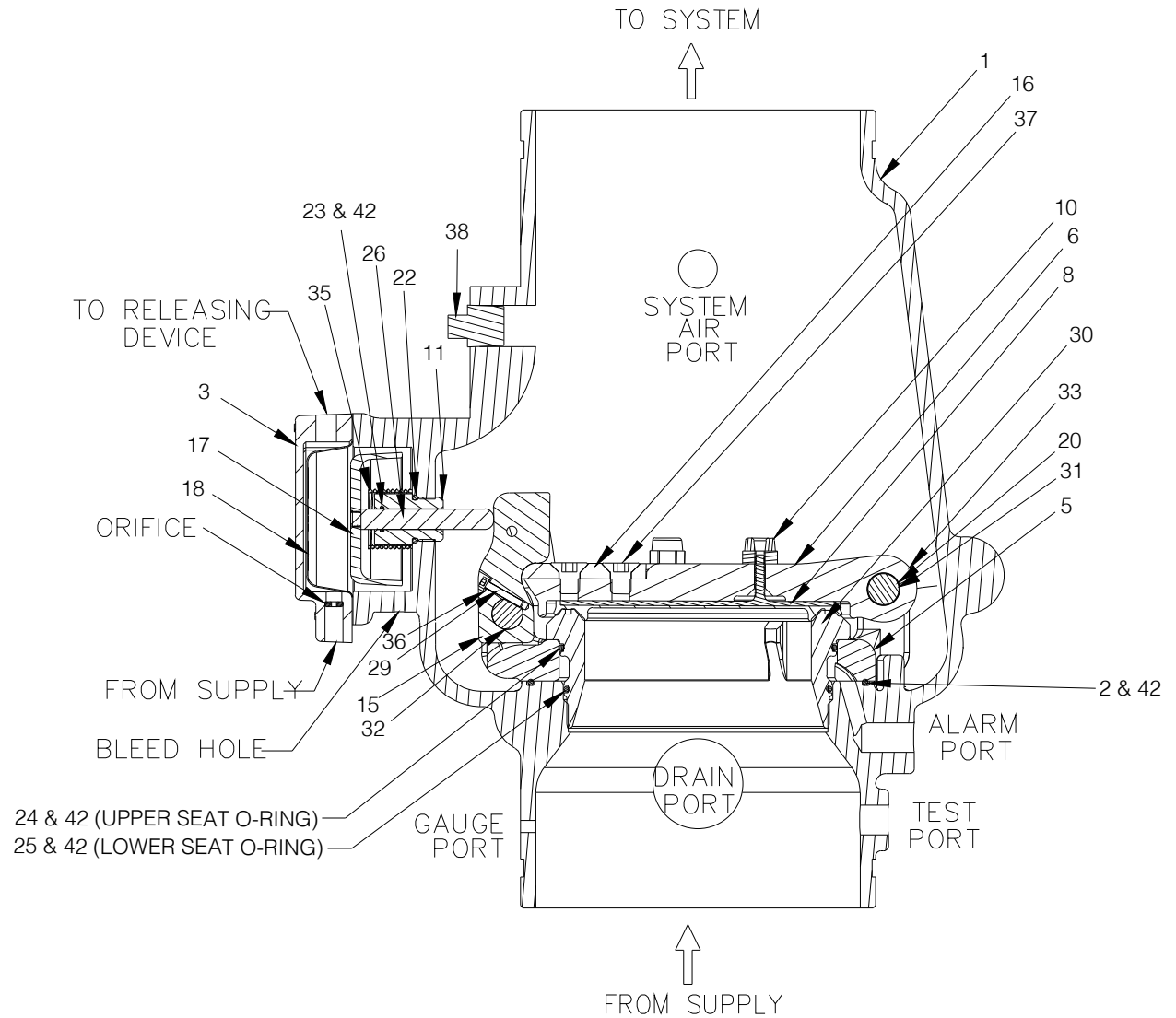
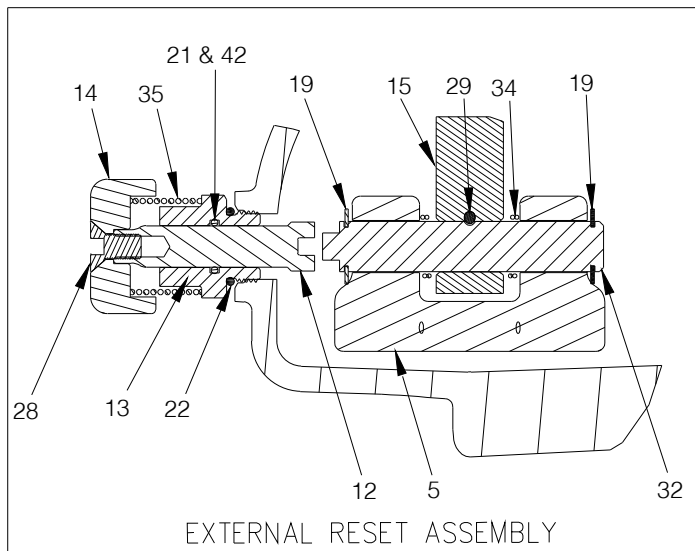
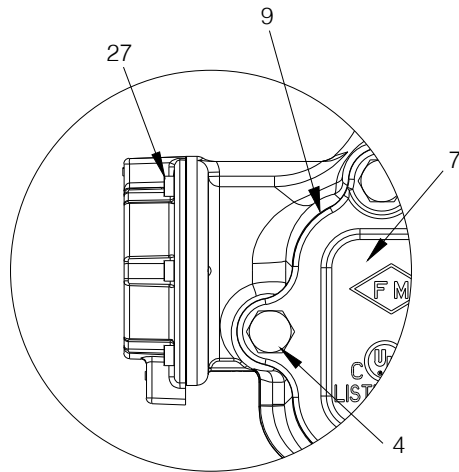
THIS DRAWING CONTAINS INFORMATION PROPRIETARY TO THE RELIABLE AUTOMATIC SPRINKLER CORP. IT MAY NOT BE REPRODUCED NOR MAY ANY INFORMATION HEREON BE DISCLOSED TO OTHERS WITHOUT THE SPECIFIC WRITTEN PERMISSION OF RELIABLE.

MTL: N/A  
 FINISH:  
 DO NOT SCALE DRAWING  
 REMOVE BURRS, BREAK SHARP EDGES  
 TOLERANCE UNLESS OTHERWISE SPECIFIED:  
 ANGLE ± 1/2° 63'  
 MACH. FINISH  
 CONC. TIR  
 SQUARENESS - PARALLELISM

THE RELIABLE AUTOMATIC SPRINKLER CO., INC.  
 LIBERTY, S.C.  
 PART NO: 77000266 DWG. SIZE: D  
 PART: SUB-ASSEMBLY, TRIM, BASE, GALVANIZED PIPE  
 PRODUCT: DDX 4", 6", 8"  
 FILE NO: 77000266 ENG: JJ DRW BY: PH C'K'D:  
 SCALE: 1:3 DATE: 07/13/17 SHEET 2 of 2

## MODEL DDX VALVE WITH STAINLESS STEEL SCREW-IN SEAT

**IMPORTANT NOTE:** Early generation 4" and 6" DDX valves may incorporate a brass drop-in seat. Prior to ordering replacement parts, confirm the presence of a stainless steel screw-in seat or brass drop-in seat. For replacement parts for valves with brass drop-in seat, please contact Reliable Sprinkler Company Technical Services ([techserv@reliablesprinkler.com](mailto:techserv@reliablesprinkler.com))



## Model DDX (Screw-In Seat Configuration) Deluge Valves Parts List

Item No.	Part No.								Part Description	QTY.	Material	
	2" (50mm)	2½" (65mm)	76mm	3" (80mm)	4" (100mm)	165mm	6" (150mm)	8" (200mm)				
1	91006011	91006012	91006023	91006013	91006005	91006027	91006007	91006028	Valve Body Groove/Groove	1	Ductile Iron 65-45-12	
	N/A	N/A	N/A	N/A	91006045	N/A	91006067	N/A	Valve Body Flange/Groove			
	N/A	N/A	N/A	N/A	91006035	N/A	91006037	91006039	Valve Body Flange/Flange			
2	N/A	N/A	N/A	N/A	N/A	N/A	N/A	95406414	O-ring (Mounting Ring)	1	Buna-N	
3	71040416								Pushrod Cover Assembly	1	Ductile Iron 65-45-12 & Brass C360000	
4	91106123			N/A		N/A		N/A		Hex Bolt ½"-13 x 1¼"	6	Zinc Plated Steel
	N/A			95606107		N/A		N/A		Hex Bolt ½"-13 x 1½"	6	
	N/A			N/A		91106006		N/A		Hex Bolt ⅝"-11 x 1¾"	6	
	N/A			N/A		N/A		95606110		Hex Bolt ⅝"-11 x 2"	8	
5	91306013			91306014		91306016		91306018		Mounting Ring	1	Stainless Steel CF8 or CF8M
6	91916003			91916014		91916016		91916008		Clapper	1	Stainless Steel CF8 or CF8M
7	92116063			92116064		92116065	92116066	92116068		Access Cover	1	Ductile Iron 65-45-12
8	93416003			93416014		93416016		93416008		Seal Assembly	1	Stainless Steel 304 & EPDM
9	93706003			93706004		93706006		93706008		Access Cover Gasket	1	Buna-N or Neoprene
10	93722000			93722000		N/A		N/A		Bumpstop Assembly	1	Stainless Steel UNS S31600 & EPDM
	N/A			N/A		93722000		N/A			2	
	N/A			N/A		N/A		93722000			3	
11	93916006			93916006		93916006		93916006		Pushrod Guide	1	Acetal
12	93916006			93916006		93916006		93916006		Reset Shaft	1	Brass UNS C36000
13	94106006			94106006		94106006		94106006		Reset Housing	1	Brass UNS C36000
14	94356006			94356006		94356006		94356006		Reset Knob	1	Aluminum 6061
15	94506003			94506004		94506016		94506008		Lever	1	Stainless Steel UNS S17400
16	95006412			94006412		95006410		95006410		Striker	1	Aluminum Bronze C95400
17	95106006			95106006		95106006		95106006		Piston	1	Stainless Steel CF8M
18	95276006			95276006		95276006		95276006		Diaphragm	1	EPDM & Polyester
19	95306267			N/A		N/A		N/A		Retaining Ring, ⅜" Shaft, Lever Pin	2	Stainless Steel 15-7 or 17-7
	N/A			95306267		N/A		N/A		Retaining Ring, ½" Shaft, Lever Pin		
	N/A			N/A		95306269		N/A		Retaining Ring, ⅝" Shaft, Lever Pin		
	N/A			N/A		N/A		95316408		Retaining Ring, ¾" Shaft, Lever Pin		
20	95306268			N/A		N/A		N/A		Retaining Ring, ⅝" Shaft, Hinge Pin	2	Stainless Steel 15-7 or 17-7
	N/A			95306267		95306267		N/A		Retaining Ring, ½" Shaft, Hinge Pin		
	N/A			N/A		N/A		95316408		Retaining Ring, ¾" Shaft, Hinge Pin		
21	95406007			95406007		95406007		95406007		O-Ring, Reset Housing ID	1	Buna-N
22	95406024			95406024		95406024		95406024		O-Ring, Reset Housing & Pushrod Guide OD	2	Buna-N
23	95406407			95406407		95406407		95406407		O-Ring, Pushrod Guide ID	1	Buna-N
24	95406410			95406409		95436126		95406413		O-Ring, Upper Seat	1	Buna-N
25	95406411			95406420		95446226		95406412		O-Ring, Lower Seat	1	Buna-N
26	95506006			95506006		95506006		95506006		Pushrod	1	Stainless Steel UNS S30300
27	95606114			95606114		95606114		95606114		Socket Head Screw, ¼"-20 x ⅝"	6	Steel
28	95606127			95606127		95606127		95606127		Flat Head Socket Cap Screw ⅜"-16 x ¾"	1	Steel
29	95606133			N/A		N/A		N/A		Socket Head Screw #6-32 x ½"	1	Stainless Steel 18-8
	N/A			95606130		95606130		95606130		Socket Head Screw #10-32 x 1"		Stainless Steel UNS S31600
30	96016003			96016014		96016016		96016008		Seat	1	Stainless Steel CF8M
31	96206003			N/A		N/A		N/A		Hinge Pin	1	Stainless Steel UNS S30400
	N/A			96216086		9216086		96206008				Stainless Steel UNS S21800
32	96216003			N/A		N/A		N/A		Lever Pin	1	Stainless Steel UNS S17400
	N/A			96216044		96216047		96216008				Stainless Steel UNS S21800
33	96310003			96906904		96906904		96310008		Clapper Spacer	2	Teflon or Acetal
34	96406003			N/A		N/A		N/A		Lever Spring	1	Stainless Steel UNS S30400
	N/A			96406004		96406005		96406008				Stainless Steel UNS S31600
35	96406906			96406906		96406906		96406906		Piston/ Reset Spring	2	Stainless Steel UNS S31600
36	96906112			N/A		N/A		N/A		Spring Lock Washer, #6	1	Stainless Steel 18-8
	N/A			96906111		96906111		96906111		Spring Lock Washer, #10		Stainless Steel UNS S31600
37	95606140			N/A		N/A		N/A		Flat Head Socket Cap Screw ¼"-20 x ½"	2	Stainless Steel 18-8
	N/A			95606139		N/A		N/A				Stainless Steel UNS S31600
	N/A			N/A		N/A		95606135				Flat Head Socket Cap Screw ½"-13 x ¾"
38	98604402			98604402		98604402		98604402		Plug, ½" NPT	1	Steel
39	94616921			94616921		94616921		94616921		Knob Caution Label (Not Shown)	1	Polystyrene
40	91556922			91556922		91556922		91556922		Ball Chain, 1/8" (Not Shown) (Length is in Inches)	6	Nickel Plated Brass
41	91556923			91556923		91556923		91556923		Clamping Link, Ball Chain (Not Shown)	1	
42	699993406			699993406		699993406		699993406		O-Ring Grease, Dupont™ Krytox® GPL-205	A/R	Krytox®