



Model RF RASCOFLEX® Sprinkler Connections

cULus Listed, FM Approved, VdS, LPCB

Product Description

RASCOFLEX® Sprinkler Connections are intended to connect a branch line to a sprinkler using a flexible stainless steel hose assembly. RASCOFLEX® hoses are available braided or unbraided in five nominal lengths ranging from 28" (700 mm) to 71" (1800 mm). Inlet connects of 1" (25 mm) or 1-1/4" (32 mm) are available in either NPT or BSPT threads. The flexible hose is connected to the sprinkler with any of seven reducers, straight or elbow, with either 1/2" or 3/4", NPT or BSPT outlet connections. The RASCOFLEX® bracket allows for adjustment of the outlet position to simplify horizontal and vertical positioning of the sprinkler.

- The Model RF RASCOFLEX has an external diameter of 28mm and an internal Dimensional Nominal of 25mm. Extended length outlet, 5-5/16" (135 mm), and end brackets as standard allow for installation of pendent and concealed sprinklers with the same system
- Additional height also allows for easy installation and removal of the ceiling tile
- Wing nuts on all screws for ease of installation
- Avoids cutting, welding, and threading of drops
- Easy to move for layout changes
- Available with a braided or unbraided hose

Maintenance

RASCOFLEX® Sprinkler Connections should be inspected and the sprinkler system maintained in accordance with NFPA 25, as well as the requirements of any Authorities Having Jurisdiction.

Listings and Approvals

FM Approved Class No. 1637 (FM)
 UL Listed and UL Certified for Canada to ANSI/UL 2443 (cULus)
 LPCB Approved Certificate 140d
 VdS Approved Certificate G415025



RASCOFLEX® Sprinkler Connections



Braided



Unbraided

Ordering Information

Specify:

- Model Name and Hose Type
 - Model RF_B (braided) or RF_U (unbraided)
- Nominal Hose Length
 - 28" (700 mm), 39" (1000 mm), 47" (1200 mm), 59" (1500 mm), 71" (1800 mm)
- Thread Type
 - NPT or BSPT
- Inlet Size
 - 1" (25 mm) or 1-1/4" (32 mm)
- Reducer (Outlet) Size
 - 1/2" (15mm) or 3/4" (20mm)
- Reducer (Outlet) Type
 - Standard:
 - 5-5/16" (135 mm) straight
 - Optional:
 - Straight in 4-5/16" (110 mm), 6-1/8" (155 mm), or 11-13/16" (300 mm)
 - Short Elbow in 4-5/16" (110 mm) or 6-1/8" (155 mm)
 - Long Elbow in 6" (150 mm)
- Bracket Assembly Length
 - 27-9/16" (700 mm) standard
 - 50" (1270 mm) optional
 - 63" (1600 mm) optional
- Accessories
 - See Table H

Technical Data

Approval Agency		UL		LPCB		FM	VdS
Hose Type		Unbraided	Braided	Unbraided	Braided	Braided	Braided
Maximum Working Pressure		200 psi (13.8 bar)	200 psi (13.8 bar)	200 psi (13.8 bar)	200 psi (13.8 bar)	200 psi (13.8 bar)	200 psi (13.8 bar)
Maximum Working Temperature		225 °F (107 °C)	225 °F (107 °C)	300 °F (149 °C)	300 °F (149 °C)	300 °F (149 °C)	300 °F (149 °C)
Connections	Inlet	1" (25 mm)		1" (25 mm) or 1-1/4" (32 mm)		1" (25 mm)	
	Outlet	1/2" (15 mm) or 3/4" (20 mm)					
Minimum Allowable Bending Radius		4" (100 mm)	4" (100 mm)	3" (75 mm)	3" (75 mm)	10" (250 mm)	3" (75 mm)
Maximum Number of Bends		See Friction Loss Chart					
Maximum K-Factor	1/2" (15 mm) Outlet	5.6 (80) & 8.0 (115) ⁽¹⁾	5.6 (80), 8.0 (115), & 11.2 (160) ⁽²⁾	Not specified		5.6 (80)	8.0 (115)
	3/4" (20 mm) Outlet	8.0 (115)	14.0 (200)			8.0 (115) & 14.0 (200)	

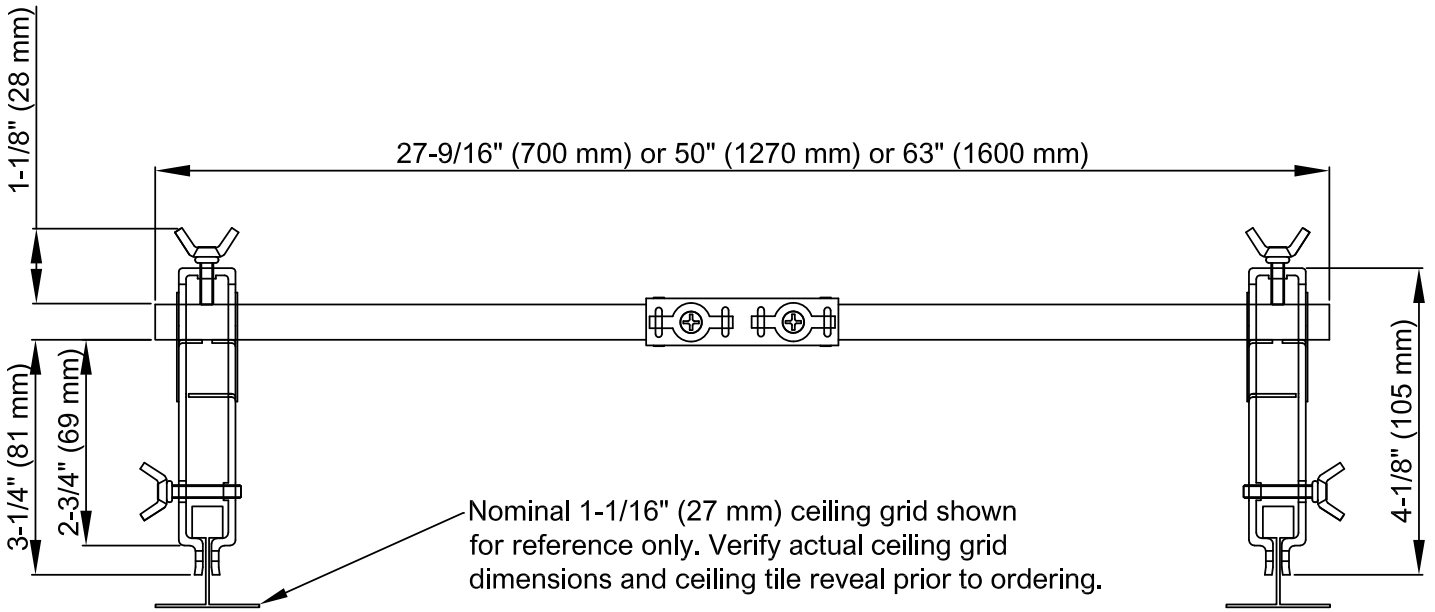
Table A

Notes:

1. 8.0 (115) is used in retrofit installations only
 2. 8.0 (115) and 11.2 (160) are used in retrofit installations only
- www.reliablesprinkler.com

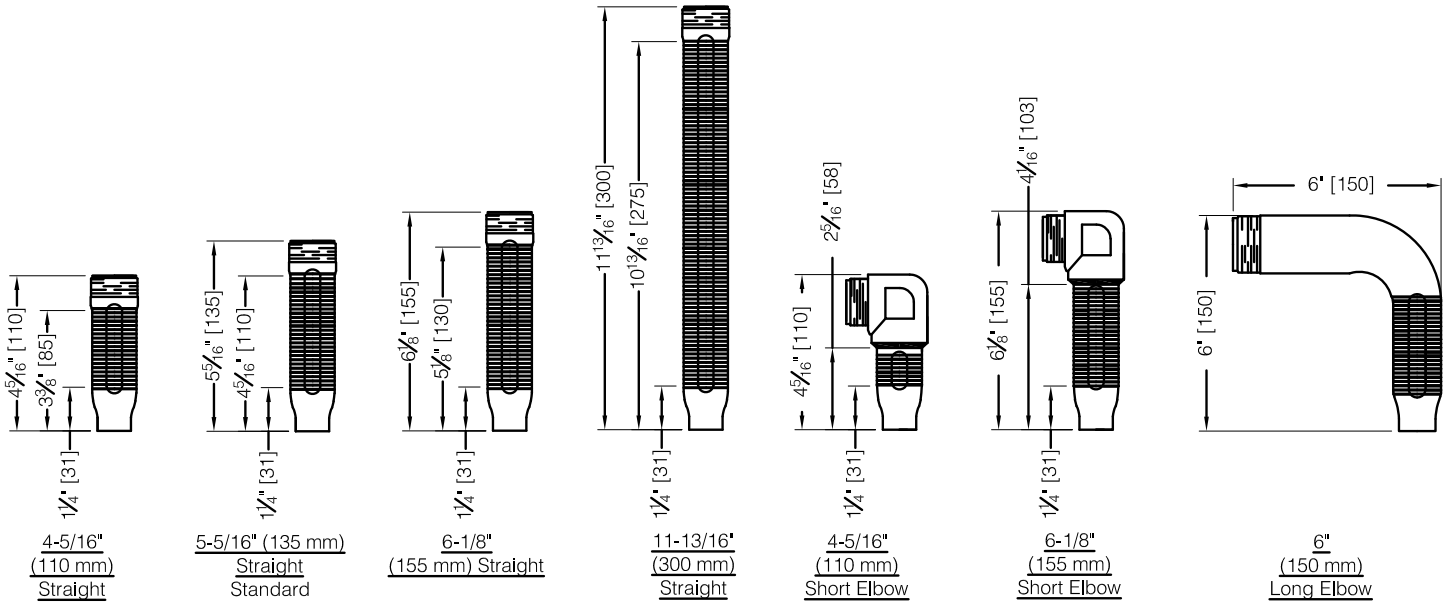
Bracket Dimensions

Figure 1



Reducer Dimensions

Figure 2



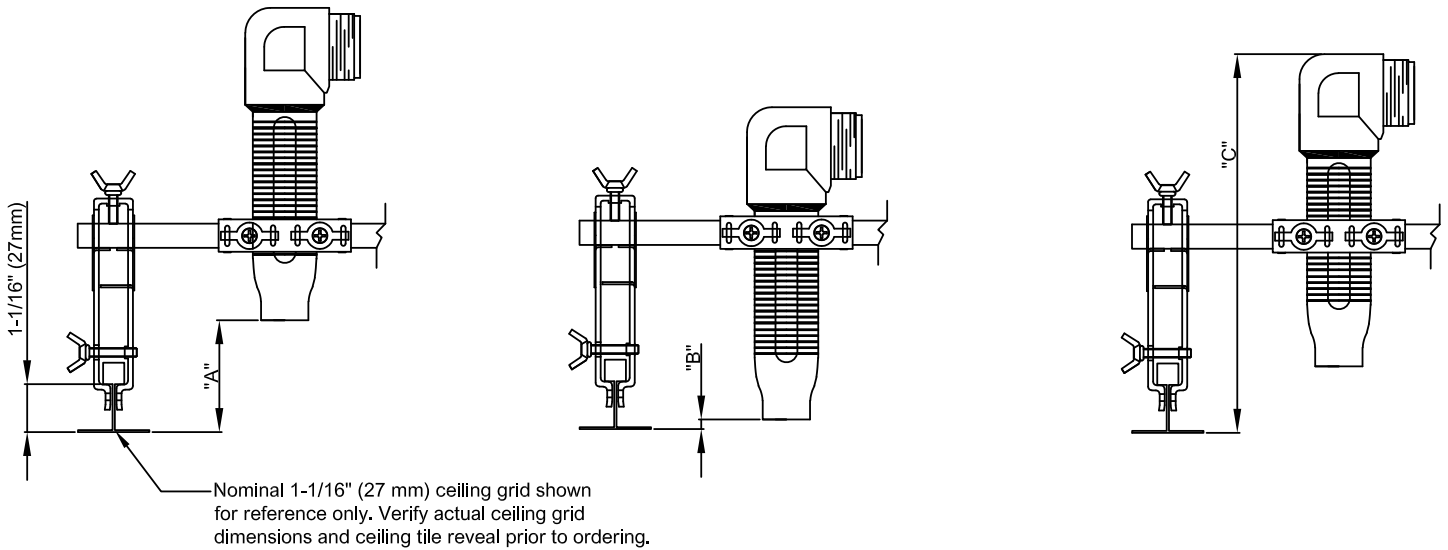


Fig. 3 Dimensions A and B - Face of Fitting to Bottom of Ceiling Grid Dimensions for Each Reducer

Table B

Fitting Distance	5-5/16" (135 mm) Straight Standard	4-5/16" (110 mm) Straight	6-1/8" (155 mm) Straight	11-13/16" (300 mm) Straight	4-5/16" (110 mm) Short Elbow	6-1/8" (155 mm) Short Elbow	6" (150 mm) Long Elbow
Max. Face of Fitting Distance Above Bottom of Ceiling Grid	2-1/2" (65 mm)	2-1/2" (65 mm)	2-1/2" (65 mm)	2-1/2" (65 mm)	2-1/2" (65 mm)	2-1/2" (65 mm)	2-1/2" (65 mm)
Max. Face of Fitting Distance from Bottom of Ceiling Grid	1" (25 mm) Above	1/8" (3 mm) Above	1/4" (7 mm) Below	6-3/8" (160 mm) Below	2-1/8" (53 mm) Above	3/8" (9 mm) Above	3/4" (20 mm) Above

Note: Based on 1-1/16" (43mm) tall ceiling grid.

Fig. 3 Dimension C - Clearance Above Ceiling Required at Max. Sprinkler Recess

Table C

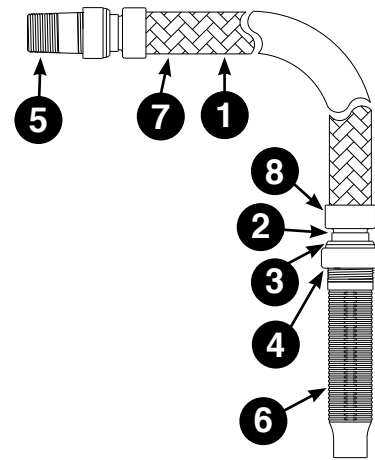
Recessed Escutcheon or Concealed/Flush Sprinkler	Reducer		
	4-5/16" (110 mm) Short Elbow	6-1/8" (155 mm) Short Elbow	6" (150 mm) Long Elbow
F1 recessed escutcheon	NC	7-1/4" (184 mm)	NC
F2 or FV recessed escutcheon	NC	7" (177 mm)	NC
FP recessed escutcheon	NC	7-5/8" (194 mm)	7-1/2" (190 mm)
CCP conical concealed cover plate	NC	7-5/8" (194 mm)	7-1/2" (190 mm)
G4 series concealed sprinklers	6-15/16" (176 mm)	8-3/4" (222 mm)	8-5/8" (219 mm)
G5 series concealed sprinklers	NC	8-3/8" (213 mm)	8-1/4" (210 mm)
RFC30, RFC43, RFC49 concealed sprinklers	NC	8-1/8" (206 mm)	8" (203 mm)
RFC58, RFC76 concealed sprinklers	NC	8-3/8" (213 mm)	8-1/4" (210 mm)
RFC49plus concealed sprinklers	NC	9-1/8" (232 mm)	9" (229 mm)
XL commercial flush sprinkler with flat escutcheon	NC	8" (203 mm)	7-7/8" (200 mm)
XL commercial flush sprinkler with conical escutcheon	NC	7-1/2" (191 mm)	7-3/8" (187 mm)

Note: NC - Reducer not compatible with sprinkler adjustment range.
Based on 1-1/16" (27 mm) tall ceiling grid and flush ceiling tile.

Materials

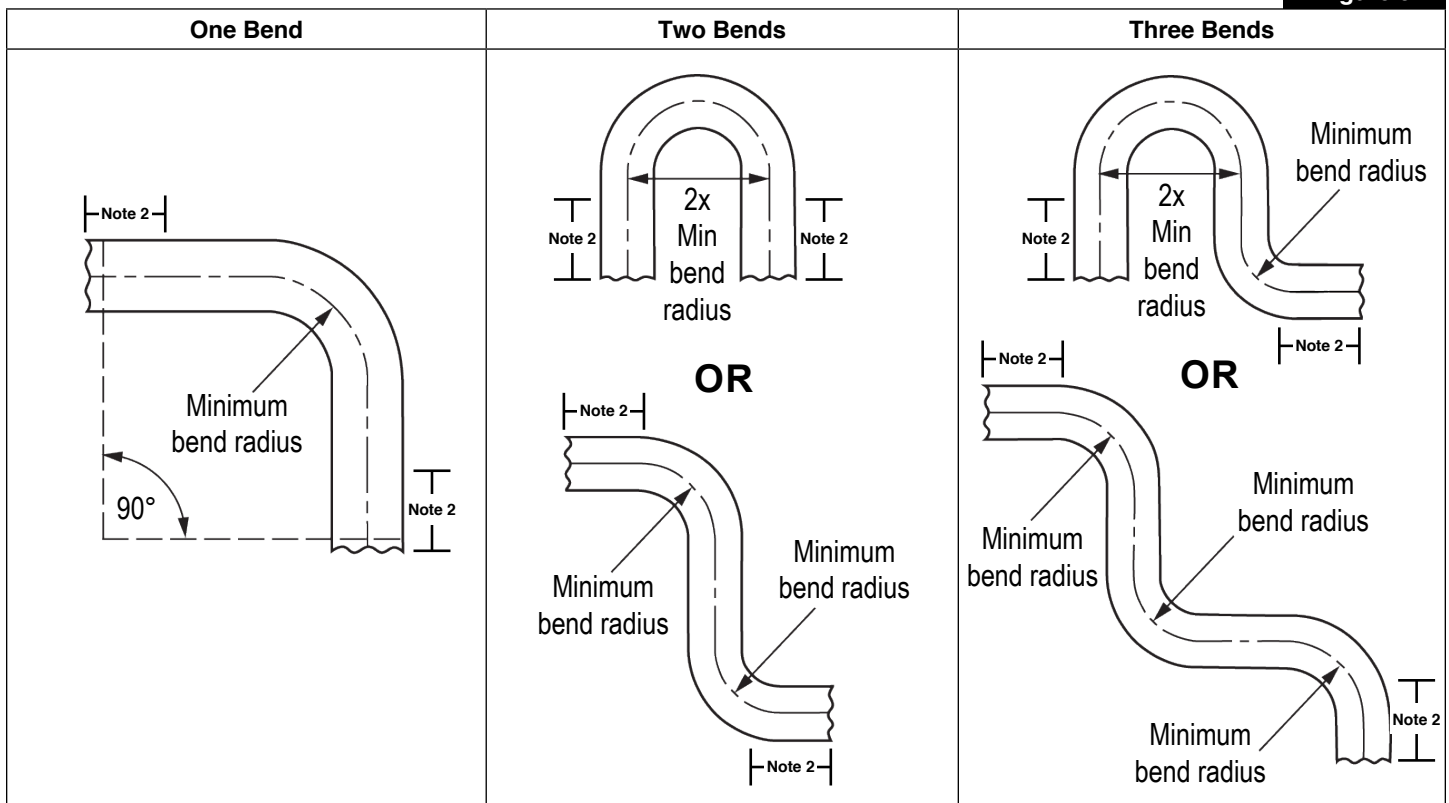
Number	Item Description	Material
1	Flexible Hose/Bellow	AISI Type 304 Stainless Steel
2	Isolation Ring	Nylon 66
3	Gasket	EPDM
4	Nut	Zinc Plated Carbon Steel
5	Branch Line Nipple (1")	Zinc Plated Carbon Steel
6	Reducer	Zinc Plated Carbon Steel
7	Braid	AISI Type 304 Stainless Steel
8	Welded Collar Fitting	AISI Type 304 Stainless Steel
-	Bar Stock	Zinc Plated SGCC Steel
-	Brackets: Center and Side	Zinc Plated SPCC Steel

Figure 5



Flexible Hose Number of Bends

Figure 6



Notes:

1. Do NOT install the RASCOFLEX® pulled straight or tight. Some flexibility in the form of an allowable bend or bends must be provided.
2. Provide a minimum of 3" (75 mm) of straight section at each end of the RASCOFLEX® hose to avoid strain on the connections.



cULus Friction Loss Data

Table D

Nominal Length of Flexible Hose in (mm)	Reducer		K-Factor gpm/psi ^{1/2} (lpm/bar ^{1/2})	90° Bend Radius in (mm)	Number of 90° Bends	Equivalent Length of 1" (33.7mm) Sch. 40 Pipe (C=120), ft (m)
	NPT or BSPT in (mm)	Type				
28 (700) (Unbraided)	1/2 (15)	Straight	5.6 (80) & 8.0 (115) ⁽¹⁾	4 (100)	2	12 (3.66)
	3/4 (20)	Straight	8.0 (115)	4 (100)	2	18 (5.49)
39 (1000) (Unbraided)	1/2 (15)	Straight	5.6 (80) & 8.0 (115) ⁽¹⁾	4 (100)	3	27 (8.23)
	3/4 (20)	Straight	8.0 (115)	4 (100)	3	28 (8.53)
47 (1200) (Unbraided)	1/2 (15)	Straight	5.6 (80) & 8.0 (115) ⁽¹⁾	4 (100)	3	29 (8.84)
	3/4 (20)	Straight	8.0 (115)	4 (100)	3	37 (11.28)
59 (1500) (Unbraided)	1/2 (15)	Straight	5.6 (80) & 8.0 (115) ⁽¹⁾	4 (100)	3	42 (12.80)
	3/4 (20)	Straight	8.0 (115)	4 (100)	3	47 (14.33)
71 (1800) (Unbraided)	1/2 (15)	Straight	5.6 (80) & 8.0 (115) ⁽¹⁾	4 (100)	3	49 (14.94)
	3/4 (20)	Straight	8.0 (115)	4 (100)	3	52 (15.85)
28 (700) (Braided)	1/2 (15)	Straight	5.6 (80), 8.0 (115), & 11.2 (160) ⁽²⁾	4 (100)	2	12 (3.66)
	3/4 (20)	Straight	14.0 (200)	4 (100)	2	18 (5.49)
39 (1000) (Braided)	1/2 (15)	Straight	5.6 (80), 8.0 (115), & 11.2 (160) ⁽²⁾	4 (100)	3	27 (8.23)
	3/4 (20)	Straight	14.0 (200)	4 (100)	3	28 (8.53)
47 (1200) (Braided)	1/2 (15)	Straight	5.6 (80), 8.0 (115), & 11.2 (160) ⁽²⁾	4 (100)	3	29 (8.84)
	3/4 (20)	Straight	14.0 (200)	4 (100)	3	37 (11.28)
59 (1500) (Braided)	1/2 (15)	Straight	5.6 (80), 8.0 (115), & 11.2 (160) ⁽²⁾	4 (100)	3	42 (12.80)
	3/4 (20)	Straight	14.0 (200)	4 (100)	3	47 (14.33)
71 (1800) (Braided)	1/2 (15)	Straight	5.6 (80), 8.0 (115), & 11.2 (160) ⁽²⁾	4 (100)	3	49 (14.94)
	3/4 (20)	Straight	14.0 (200)	4 (100)	3	52 (15.85)

UL Notes:

1. Available data for use with 6.1" straight reducers.
2. Sprinkler K-factor: 5.6 (80 metric) for 1/2" reducer and 14.0 (200 metric) for 3/4"
3. RASCOFLEX® Sprinkler Connections have been tested and approved by Underwriter's Laboratories, Inc. for use in wet, preaction, and dry sprinkler systems per NFPA 13, 13D, 13R and UL2443.



FM Friction Loss Data

Table E

Nominal Length of Flexible Hose in (mm)	Reducer		K-Factor gpm/psi ^{1/2} (lpm/bar ^{1/2})	90° Bend Radius in (mm)	Number of 90° Bends	Equivalent Length of 1" (33.7mm) Sch. 40 Pipe (C=120), ft (m)
	NPT or BSPT Threads in (mm)	Type				
28 (700) (Braided)	1/2 (15)	Straight	5.6 (80)	10 (250)	1	15.6 (4.7)
	1/2 (15)	Straight	11.2 (160)	10 (250)	1	31.2 (9.5)
	3/4 (20)	Straight	8.0 (115)	10 (250)	1	13.8 (4.2)
	3/4 (20)	Straight	14.0 (200)	10 (250)	1	16.0 (4.9)
39 (1000) (Braided)	1/2 (15)	Straight	5.6 (80)	10 (250)	2	27.3 (8.3)
	1/2 (15)	Straight	11.2 (160)	10 (250)	2	42.7 (13.0)
	3/4 (20)	Straight	8.0 (115)	10 (250)	2	25.8 (7.8)
	3/4 (20)	Straight	14.0 (200)	10 (250)	2	28.9 (8.8)
47 (1200) (Braided)	1/2 (15)	Straight	5.6 (80)	10 (250)	3	35.1 (10.7)
	1/2 (15)	Straight	11.2 (160)	10 (250)	3	50.4 (15.4)
	3/4 (20)	Straight	8.0 (115)	10 (250)	3	33.8 (10.3)
	3/4 (20)	Straight	14.0 (200)	10 (250)	3	37.5 (11.4)
59 (1500) (Braided)	1/2 (15)	Straight	5.6 (80)	10 (250)	3	46.8 (14.2)
	1/2 (15)	Straight	11.2 (160)	10 (250)	3	61.9 (18.9)
	3/4 (20)	Straight	8.0 (115)	10 (250)	3	45.8 (13.9)
	3/4 (20)	Straight	14.0 (200)	10 (250)	3	50.5 (15.4)
71 (1800) (Braided)	1/2 (15)	Straight	5.6 (80)	10 (250)	4	58.7 (17.9)
	1/2 (15)	Straight	11.2 (160)	10 (250)	4	73.4 (22.4)
	3/4 (20)	Straight	8.0 (115)	10 (250)	4	57.8 (17.6)
	3/4 (20)	Straight	14.0 (200)	10 (250)	4	63.4 (19.3)
28 (700) (Braided)	1/2 (15)	Elbow	5.6 (80)	10 (250)	1	17.9 (5.4)
	1/2 (15)	Elbow	11.2 (160)	10 (250)	1	31.2 (9.5)
	3/4 (20)	Elbow	8.0 (115)	10 (250)	1	16.8 (5.1)
	3/4 (20)	Elbow	14.0 (200)	10 (250)	1	19.9 (6.1)
39 (1000) (Braided)	1/2 (15)	Elbow	5.6 (80)	10 (250)	2	29.3 (8.9)
	1/2 (15)	Elbow	11.2 (160)	10 (250)	2	43.6 (13.3)
	3/4 (20)	Elbow	8.0 (115)	10 (250)	2	28.8 (8.7)
	3/4 (20)	Elbow	14.0 (200)	10 (250)	2	32.3 (9.8)
47 (1200) (Braided)	1/2 (15)	Elbow	5.6 (80)	10 (250)	3	36.9 (11.3)
	1/2 (15)	Elbow	11.2 (160)	10 (250)	3	51.9 (15.8)
	3/4 (20)	Elbow	8.0 (115)	10 (250)	3	36.8 (11.2)
	3/4 (20)	Elbow	14.0 (200)	10 (250)	3	40.6 (12.4)

FM Friction Loss Data (cont.)

Table E

Nominal Length of Flexible Hose in (mm)	Reducer		K-Factor gpm/psi ^{1/2} (lpm/bar ^{1/2})	90° Bend Radius in (mm)	Number of 90° Bends	Equivalent Length of 1" (33.7mm) Sch. 40 Pipe (C=120), ft (m)
	NPT or BSPT Threads in (mm)	Type				
59 (1500) (Braided)	1/2 (15)	Elbow	5.6 (80)	10 (250)	3	48.3 (14.7)
	1/2 (15)	Elbow	11.2 (160)	10 (250)	3	64.4 (19.6)
	3/4 (20)	Elbow	8.0 (115)	10 (250)	3	48.8 (14.8)
	3/4 (20)	Elbow	14.0 (200)	10 (250)	3	53.0 (16.2)
71 (1800) (Braided)	1/2 (15)	Elbow	5.6 (80)	10 (250)	4	60.3 (18.3)
	1/2 (15)	Elbow	11.2 (160)	10 (250)	4	76.8 (23.4)
	3/4 (20)	Elbow	8.0 (115)	10 (250)	4	60.8 (18.5)
	3/4 (20)	Elbow	14.0 (200)	10 (250)	4	65.4 (19.9)

FM Notes:

1. RASCOFLEX® Sprinkler Connections have been tested and approved by FM Approvals for use in wet, preaction, and dry sprinkler systems per FM data sheets 2-0, 2-5, and 2-8 per FM1637.
2. Maximum sprinkler K-factor: 5.6 (80 metric) for 1/2-inch reducer and 14.0 (200 metric) for 3/4-inch reducer.
3. Differences in equivalent lengths are due to varying test methods, per FM 1637 standards.
4. Above data of friction loss for use with 6.1" straight reducers.



VdS Friction Loss Data

Table F

Nominal Length of Flexible Hose in (mm)	Reducer		90° Bend Radius in (mm)	Number of 90° Bends	Equivalent Length of 1" (33.7mm) Sch. 40 Pipe (C=120), ft (m)
	NPT or BSPT Threads in (mm)	Type			
28 (700) (Braided)	1/2 (15)	Straight	3 (75)	2	9.74 (2.97)
	3/4 (20)	Straight	3 (75)	2	
39 (1000) (Braided)	1/2 (15)	Straight	3 (75)	2	13.94 (4.25)
	3/4 (20)	Straight	3 (75)	2	
47 (1200) (Braided)	1/2 (15)	Straight	3 (75)	3	16.73 (5.10)
	3/4 (20)	Straight	3 (75)	3	
59 (1500) (Braided)	1/2 (15)	Straight	3 (75)	3	20.90 (6.37)
	3/4 (20)	Straight	3 (75)	3	
71 (1800) (Braided)	1/2 (15)	Straight	3 (75)	4	25.07 (7.64)
	3/4 (20)	Straight	3 (75)	4	

VdS Notes:

VdS Approval only applies to the use in false T-profile ceilings of the following manufacturers:

1. Odenwald
2. Richter
3. Armstrong
4. Rigips
5. Dipling

When installing the sprinkler adapter, the instructions of the ceiling system manufacturer and the mounting instructions of the adapter manufacturer shall be followed.

For the purposes of hydraulic calculations, the equivalent length of EN 10255 DN 20 (26.9 mm x 2.65 mm) steel pipe in metres can be calculated by multiplying the length of the RASCOFLEX hose in metres by a factor of 4.5.



LPCB Friction Loss Data

Table G

Nominal Length of Flexible Hose in (mm)	Reducer		90° Bend Radius in (mm)	Number of 90° Bends	Equivalent Length of 1" (33.7mm) Sch. 40 Pipe (C=120), ft (m)
	NPT or BSPT Threads in (mm)	Type			
28 (700) (Unbraided)	1/2 (15)	Straight	3 (75)	2	21.33 (6.5)
	3/4 (20)	Straight	3 (75)	2	
39 (1000) (Unbraided)	1/2 (15)	Straight	3 (75)	2	26.90 (8.2)
	3/4 (20)	Straight	3 (75)	2	
47 (1200) (Unbraided)	1/2 (15)	Straight	3 (75)	3	35.76 (10.9)
	3/4 (20)	Straight	3 (75)	3	
59 (1500) (Unbraided)	1/2 (15)	Straight	3 (75)	3	42.98 (13.1)
	3/4 (20)	Straight	3 (75)	3	
71 (1800) (Unbraided)	1/2 (15)	Straight	3 (75)	3	49.87 (15.2)
	3/4 (20)	Straight	3 (75)	3	
28 (700) (Braided)	1/2 (15)	Straight	3 (75)	2	18.05 (5.5)
	3/4 (20)	Straight	3 (75)	2	
39(1000) (Braided)	1/2 (15)	Straight	3 (75)	2	25.92 (7.9)
	3/4 (20)	Straight	3 (75)	2	
47 (1200) (Braided)	1/2 (15)	Straight	3 (75)	3	36.09 (11.0)
	3/4 (20)	Straight	3 (75)	3	
59 (1500) (Braided)	1/2 (15)	Straight	3 (75)	3	42.65 (13.0)
	3/4 (20)	Straight	3 (75)	3	
71 (1800) (Braided)	1/2 (15)	Straight	3 (75)	3	49.54 (15.1)
	3/4 (20)	Straight	3 (75)	3	
28 (700) (Unbraided)	1/2 (15)	Elbow (Long Radius)	3 (75)	2	21.98 (6.7)
	3/4 (20)	Elbow (Long Radius)	3 (75)	2	
39 (1000) (Unbraided)	1/2 (15)	Elbow (Long Radius)	3 (75)	2	26.90 (8.2)
	3/4 (20)	Elbow (Long Radius)	3 (75)	2	
47 (1200) (Unbraided)	1/2 (15)	Elbow (Long Radius)	3 (75)	3	38.73 (11.8)
	3/4 (20)	Elbow (Long Radius)	3 (75)	3	
59 (1500) (Unbraided)	1/2 (15)	Elbow (Long Radius)	3 (75)	3	44.62 (13.6)
	3/4 (20)	Elbow (Long Radius)	3 (75)	3	
71 (1800) (Unbraided)	1/2 (15)	Elbow (Long Radius)	3 (75)	3	51.51 (15.7)
	3/4 (20)	Elbow (Long Radius)	3 (75)	3	
28 (700) (Braided)	1/2 (15)	Elbow (Long Radius)	3 (75)	2	19.36 (5.9)
	3/4 (20)	Elbow (Long Radius)	3 (75)	2	
39(1000) (Braided)	1/2 (15)	Elbow (Long Radius)	3 (75)	2	26.58 (8.1)
	3/4 (20)	Elbow (Long Radius)	3 (75)	2	

LPCB Friction Loss Data (cont.)

Table G

Nominal Length of Flexible Hose in (mm)	Reducer		90° Bend Radius in (mm)	Number of 90° Bends	Equivalent Length of 1" (33.7mm) Sch. 40 Pipe (C=120), ft (m)
	NPT or BSPT Threads in (mm)	Type			
47 (1200) (Braided)	1/2 (15)	Elbow (Long Radius)	3 (75)	3	37.07 (11.3)
	3/4 (20)	Elbow (Long Radius)	3 (75)	3	
59 (1500) (Braided)	1/2 (15)	Elbow (Long Radius)	3 (75)	3	44.29 (13.5)
	3/4 (20)	Elbow (Long Radius)	3 (75)	3	
71 (1800) (Braided)	1/2 (15)	Elbow (Long Radius)	3 (75)	3	51.84 (15.8)
	3/4 (20)	Elbow (Long Radius)	3 (75)	3	
28 (700) (Unbraided)	1/2 (15)	Elbow (Short Radius)	3 (75)	2	21.33 (6.5)
	3/4 (20)	Elbow (Short Radius)	3 (75)	2	
39 (1000) (Unbraided)	1/2 (15)	Elbow (Short Radius)	3 (75)	2	26.90 (8.2)
	3/4 (20)	Elbow (Short Radius)	3 (75)	2	
47 (1200) (Unbraided)	1/2 (15)	Elbow (Short Radius)	3 (75)	3	39.37 (12.0)
	3/4 (20)	Elbow (Short Radius)	3 (75)	3	
59 (1500) (Unbraided)	1/2 (15)	Elbow (Short Radius)	3 (75)	3	43.64 (13.3)
	3/4 (20)	Elbow (Short Radius)	3 (75)	3	
71 (1800) (Unbraided)	1/2 (15)	Elbow (Short Radius)	3 (75)	3	50.85 (15.5)
	3/4 (20)	Elbow (Short Radius)	3 (75)	3	
28 (700) (Braided)	1/2 (15)	Elbow (Short Radius)	3 (75)	2	20.34 (6.2)
	3/4 (20)	Elbow (Short Radius)	3 (75)	2	
39 (1000) (Braided)	1/2 (15)	Elbow (Short Radius)	3 (75)	2	26.90 (8.2)
	3/4 (20)	Elbow (Short Radius)	3 (75)	2	
47 (1200) (Braided)	1/2 (15)	Elbow (Short Radius)	3 (75)	3	38.71 (11.8)
	3/4 (20)	Elbow (Short Radius)	3 (75)	3	
59 (1500) (Braided)	1/2 (15)	Elbow (Short Radius)	3 (75)	3	43.31 (13.2)
	3/4 (20)	Elbow (Short Radius)	3 (75)	3	
71 (1800) (Braided)	1/2 (15)	Elbow (Short Radius)	3 (75)	3	51.18 (15.6)
	3/4 (20)	Elbow (Short Radius)	3 (75)	3	

 <p>Short Elbow Reducer 1/2" x 4-15/16" (15 mm x 110 mm) 1/2" x 6-1/8" (15 mm x 155 mm) 3/4" x 4-5/16" (20 mm x 110 mm) 3/4" x 6-1/8" (20 mm x 155 mm) NPT or BSPT Threads</p>	 <p>Straight Reducer 1/2" x 4-5/16" (15 mm x 110 mm) 1/2" x 6-1/8" (15 mm x 155 mm) 1/2" x 11-13/16" (15 mm x 300 mm) 3/4" x 4-5/16" (20 mm x 110 mm) 3/4" x 6-1/8" (20 mm x 155 mm) 3/4" x 11-13/16" (20 mm x 300 mm)</p>	
 <p>Wood Beam Stud End Bracket</p>	 <p>Metal Stud End Bracket 1-1/2" (38 mm) 2" (53 mm)</p>	
 <p>3" (76 mm) Bend Radius Indicator</p>	 <p>T-Bar End Bracket 2-3/8" (60 mm) 3" (78 mm) 4-1/8" (105 mm)</p>	
 <p>Open Hat Channel Bracket 3-3/4" (96 mm)</p>	 <p>Inlet Nipple Nominal 1" (25 mm) 1-1/4" (32 mm) NPT or BSPT Threads</p>	
 <p>Stock Bar 27-9/16" (700 mm) 50" (1270 mm) 63" (1600 mm)</p>	 <p>Centre Bracket One Size</p>	 <p>Long Radius Reducer 1/2" x 6" (15 mm x 150 mm) 3/4" x 6" (20 mm x 150 mm) NPT or BSPT Threads</p>