



Storz Connections

Product Description

Reliable Storz Connections provide a quick connection of large diameter hose by Fire Service Professionals to fire sprinkler or standpipe systems. Conforms with NFPA 1963 requirements. Constructed with forged aluminum.

Installation

The Reliable Storz Connections and Storz accessories shall be installed in accordance with NFPA 13, "Standard for the Installation of Sprinkler Systems," as well as the requirements of any authorities having jurisdiction. Verify compatibility of the Reliable Storz connection materials with the water supply and the environment where the valve will be installed prior to installation.

Maintenance

The owner is responsible for maintaining the fire protection system in proper operating condition. Any system maintenance or testing that involves placing a control valve out of service will eliminate the fire protection that is provided by the fire protection system.

The Reliable Storz Connections and Storz accessories shall periodically be given a thorough inspection and test. NFPA 25, "Inspection, Testing and Maintenance of Water Based Fire Protection Systems," provides minimum maintenance requirements.

Guarantee

For Reliable Automatic Sprinkler Co., Inc. guarantee, terms, and conditions, visit www.reliablesprinkler.com.

Ordering Information

Specify the following when ordering:

Reliable Storz Connection
4" Storz x 4" FNPT
5" Storz x 4" FNPT
4" Storz x 4" FNPT w/ Cap
5" Storz x 4" FNPT w/ Cap
4" Storz x 4" FNPT w/ 30° Elbow
5" Storz x 4" FNPT w/ 30° Elbow
4" Storz x 4" FNPT w/ 30° Elbow & Cap
5" Storz x 4" FNPT w/ 30° Elbow & Cap
4" Storz Cap & Chain
5" Storz Cap & Chain
Storz Wall Connection Plate



Storz Connection with Cap



Storz Connection with 30° Elbow and Cap



Storz Connection Wall Plate

Storz Connections

Inlet: 4" or 5" Storz connection
Outlet: 4" FNPT Threads
Configuration: Straight or 30° Elbow

Accessories:
 Cap and chain
 Wall connection plate

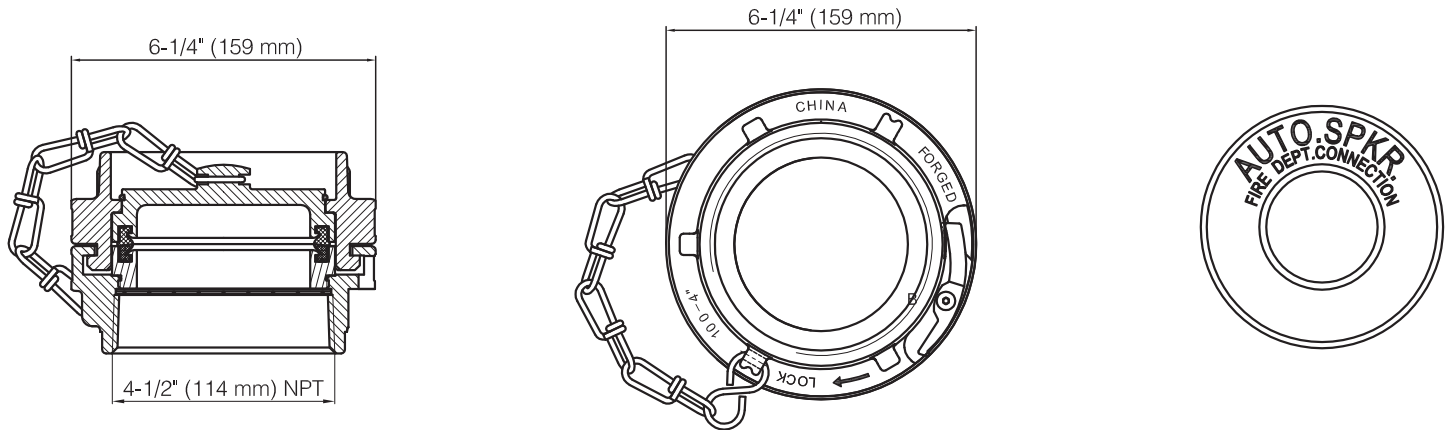
Material Specifications

Body: Forged 6061 T-6 Aluminum Alloy
Finish: Powder Coated
Seal: Metal Face
Wall Plate: 6061 Aluminum Alloy Red Painted
Chain: Q235A Steel Alloy Black Painted
Bushing: 6061 Aluminum Alloy Silver grey powder coated outside
Screen: Type 304 Stainless Steel
Lock Mechanism: Type 304 Stainless Steel
Spring: Type 302 Stainless Steel
Screw: Type 304 Stainless Steel
Lock, quick disconnect: 6061 Aluminum Alloy Silver grey powder coated outside
Gasket: NBR nitrile rubber (A60+-5)
Cap: 6061 Aluminum Alloy Silver grey powder coated outside
Retaining Ring: Type Type 304 Stainless Steel
Adapter, quick disconnect: 6061 Aluminum Alloy Silver grey powder coated outside



Storz with Wall Plate, Cap and Chain Specification and Dimensions

Figure 1



Storz with 30° Elbow, Wall Plate, Cap and Chain Specification and Dimensions

Figure 2

