



Model TESR1 Grooved Tee Short Radius

cULus Listed, FM Approved
300 psi (20.7 bar)

TESR1 Grooved Tee Short Radius Technical Data

Operating Specifications
Maximum Working Pressure:
300 psi (20.7 bar)

Material Specifications
Body: ASTM A536 Grade 65-45-12 Ductile Iron

Design Specification
Groove: AWWA-C606

Available Finishes
Housing:
Red powder coating
Hot dipped galvanized (ASTM A-153)

Listings and Approvals
cULus Listed
FM Approved



TESR1 Grooved Tee Short Radius Dimensions

Figure 1

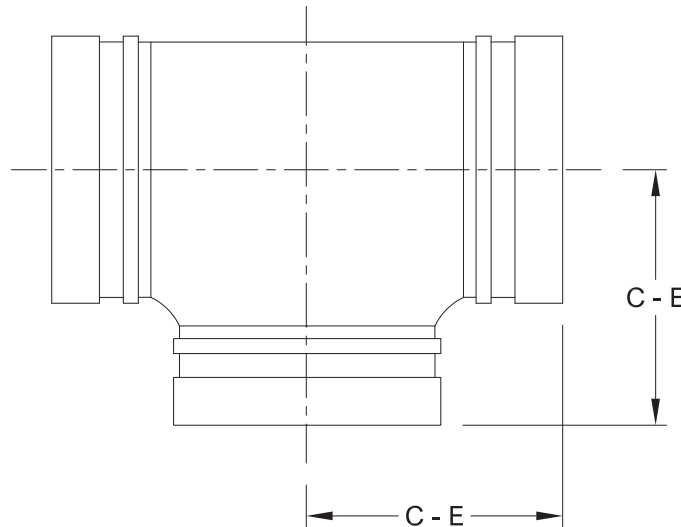


Table A

Nominal Size in (mm)	Pipe O.D. in (mm)	Dimension C - E in (mm)	Weight lb (kg)	Run Friction Loss Eq Length of Pipe ft (m)	Branch Friction Loss Eq Length of Pipe ft (m)
2 (50)	2.375 (60.3)	2-3/4 (70)	2.25 (1.02)	3.6 (1.1)	8.5 (2.6)
2-1/2 (65)	2.875 (73.0)	3 (76)	2.76 (1.25)	4.3 (1.3)	10.8 (3.3)
76 mm	3.000 (76.1)	3 (76)	2.69 (1.22)	4.3 (1.3)	10.8 (3.3)
3 (80)	3.500 (88.9)	3-3/8 (85)	3.77 (1.71)	4.9 (1.5)	13.1 (4)
4 (100)	4.500 (114.3)	4 (102)	5.47 (2.48)	6.9 (2.1)	16.1 (4.9)
139 mm	5.500 (139.7)	4-3/4 (121)	10.47 (4.75)	8.5 (2.6)	21 (6.4)
165 mm	6.500 (165.1)	5-1/8 (130)	12.24 (5.55)	9.8 (3)	24.9 (7.6)
6 (150)	6.625 (168.3)	5-1/2 (140)	13.41 (6.08)	9.8 (3)	24.9 (7.6)
8 (200)	8.625 (219.1)	6-7/8 (175)	26.46 (12)	13.1 (4)	33.1 (10.1)
10 (250)	10.750 (273.0)	8-1/2 (215)	37.15 (16.85)	17.1 (5.2)	41 (12.5)
12 (300)	12.750 (323.9)	8-11/16 (220)	55.35 (25.10)	20 (6.1)	49.9 (15.2)

P/N 999997/0686