



Unbraided. LPCB Approved & UL Listed



Flexible Kit, Unbraided. LPCB & UL

| Outlet (mm) | Inlet (mm) | Length (mm) |
|-------------|------------|-------------------------------|
| 15 | 25 | 700, 1000, 1200, 1500 or 1800 |
| 20 | 25 | 700, 1000, 1200, 1500 or 1800 |

Flexible Kit, Unbraided. LPCB

| Outlet (mm) | Inlet (mm) | Length (mm) |
|-------------|------------|-------------------------------|
| 15 | 32 | 700, 1000, 1200, 1500 or 1800 |
| 20 | 32 | 700, 1000, 1200, 1500 or 1800 |



Braided. FM, VdS & LPCB Approved & UL Listed



Flexible Kit, Braided. FM, VdS, LPCB & UL

| Outlet (mm) | Inlet (mm) | Length (mm) |
|-------------|------------|-------------------------------|
| 15 | 25 | 700, 1000, 1200, 1500 or 1800 |
| 20 | 25 | 700, 1000, 1200, 1500 or 1800 |

Flexible Kit, Braided. VdS & LPCB

| Outlet (mm) | Inlet (mm) | Length (mm) |
|-------------|------------|-------------------------------|
| 15 | 32 | 700, 1000, 1200, 1500 or 1800 |
| 20 | 32 | 700, 1000, 1200, 1500 or 1800 |

Reliable®

GLOBAL SALES AND DISTRIBUTION



Reliable®

RASCOFLEX

Innovative Flexible Sprinkler Hose



International

United Kingdom
+44 (0) 1342 316 800
rfsl@reliablesprinkler.com

Australia
+61 8 816 29555
ausales@reliablesprinkler.com

Singapore
+65 9859 0690
asiasales@reliablesprinkler.com

Europe
+49.405589818-89
europe@reliablesprinkler.com

New Zealand
+61 8 816 29555
nzsales@reliablesprinkler.com

Shanghai
+86 21 54037021
asiasales@reliablesprinkler.com

Dubai
+971 4 880 8830
csme@reliablesprinkler.com

Protecting life and property since 1920
with innovative approved and listed
automatic sprinklers and devices.

Produced in the United Kingdom.
Design and materials subject to change without notice.
First Edition. 2019.

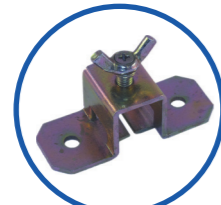
For more about fire sprinklers and devices,
please contact Reliable. **Let's discuss the opportunities.**

www.reliablesprinkler.com

www.reliablesprinkler.com



Inlet Nipple
25mm, 32mm



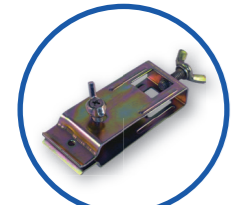
Wood Beam Bracket
One Size



Metal Stud End Bracket
38mm (short), 53mm (long)



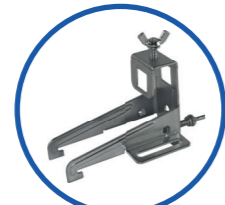
Stock Bar
700, 1270, 1600mm



T-Bar Grid Bracket
60, 78, 105mm



Radius Bend Indicator
One Size



Open Hat Channel Bracket
96mm



Centre Bracket
One Size



Straight Reducer
15 x 300, 155, 135, 110mm
20 x 300, 155, 135, 110mm



90° Elbow Reducer
15 x 110, 115mm
20 x 110, 115mm



Long Radius Reducer
15 x 150mm
20 x 150 mm



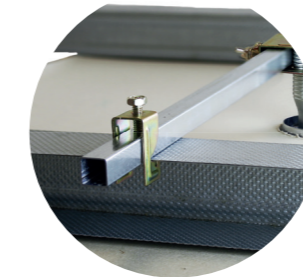
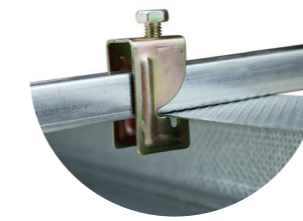
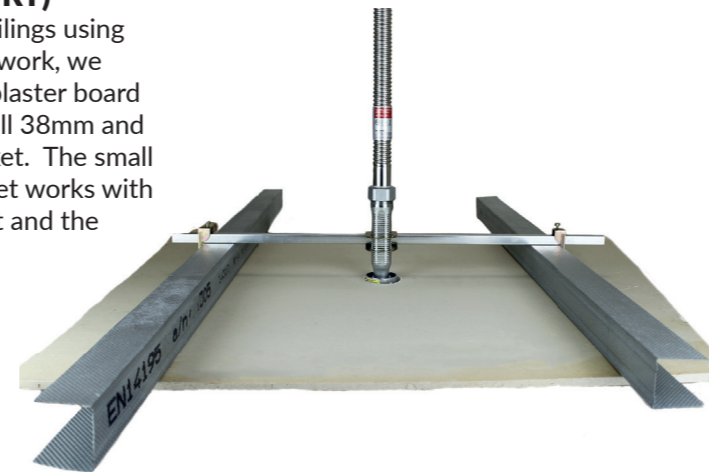
RASCOFLEX COMPONENTS

- RASCOFLEX Hose, Stainless Steel
- Open Hat Channel Bracket, SPCC Steel & Zinc plated
- Wood Beam Bracket, SPCC Steel & Zinc plated
- Centre Bracket, SPCC Steel & Zinc plated
- T-Bar Grid Bracket, SPCC Steel & Zinc plated
- Metal Stud End/Plasterboard Bracket, SPCC Steel & Zinc plated
- Straight Reducer, Carbon Steel & Zinc plated
- 90° Elbow Reducer, Carbon Steel & Zinc plated
- Long Radius Reducer, Carbon Steel & Zinc plated
- Standard Straight Outlet Nipple, Carbon Steel & Zinc plated
- Inlet Nipple, Carbon Steel & Zinc plated
- Support Bar, SGCC Steel & Zinc plated

Sizes vary, please visit our website for details.

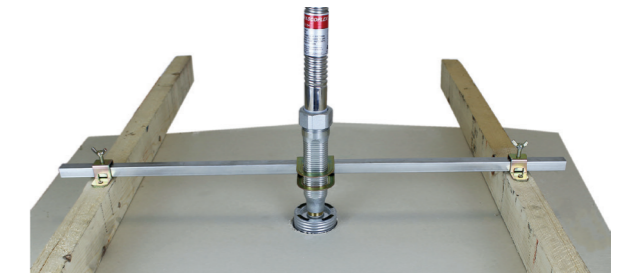
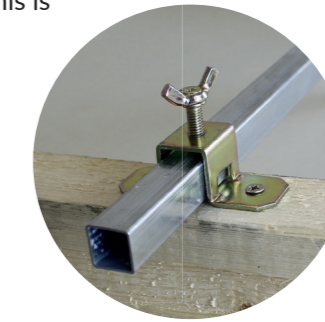
PLASTERBOARD END BRACKET (SHORT)

For plasterboard ceilings using the 'C' section studwork, we offer two types of plaster board end brackets, a small 38mm and a large 53mm bracket. The small plaster board bracket works with the conventional kit and the pendent sprinkler.



WOOD BEAM BRACKET:

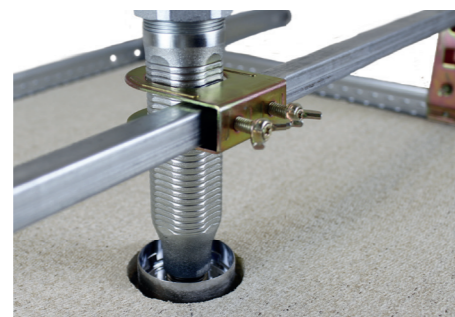
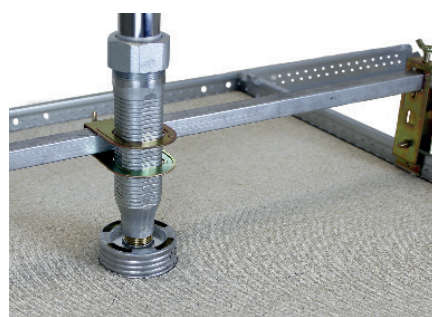
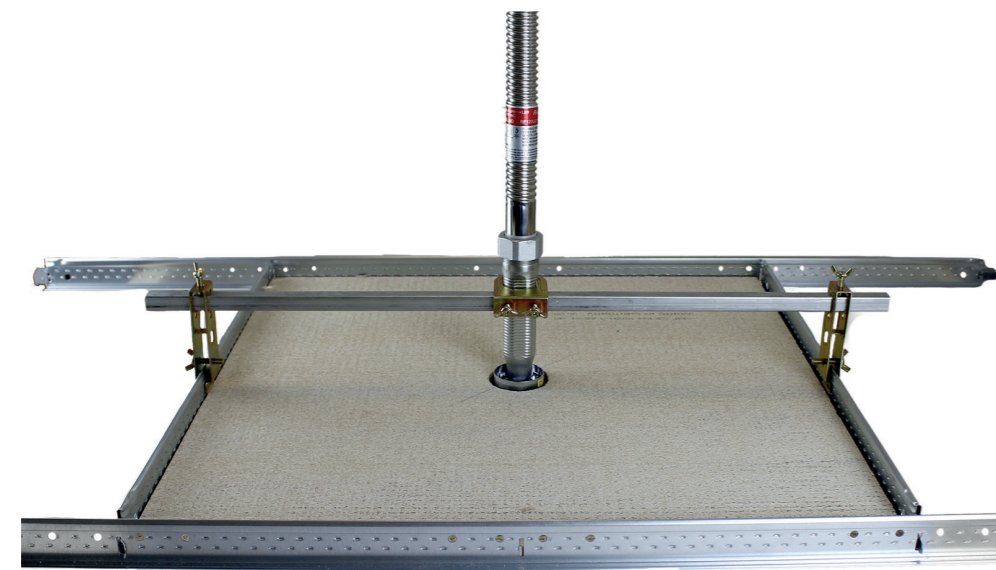
For wooden beam ceilings which work with plasterboard, it is necessary to use the wood beam bracket. This is affixed to the wooden beams with screws. A longer outlet reducer may be required dependent on the joist depth.



90° Reducers: Where ceiling void space is restrictive, there are two options available to replace the standard outlet nipple. Both can be used with concealed, pendent and XL sprinklers.

OUR READY-PREPARED RASCOFLEX FLEXIBLE KIT

The standard Reliable flexible sprinkler kit works with the standard ceiling tile and suspended grid work. This set up can be used with pendent, concealed and XL sprinklers.



THE RASCOFLEX KIT FROM RELIABLE INCLUDES:

1 Hose

1 Inlet Nipple
DN25 or DN32

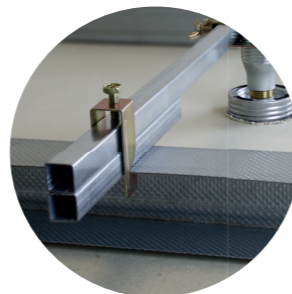
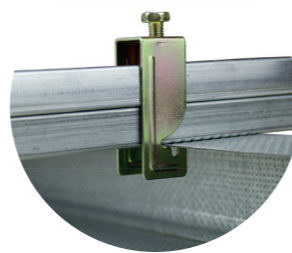
1 Outlet Nipple
135mm
DN15 OR DN20

1 Bar
700mm

2 End Brackets
105mm

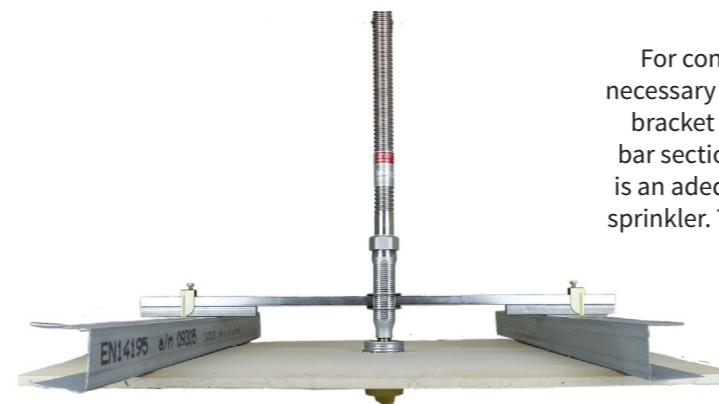
1 Centre Bracket

Kits are boxed and supplied in units of 10 for installer convenience.



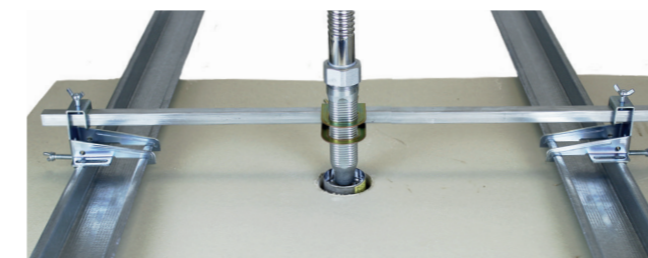
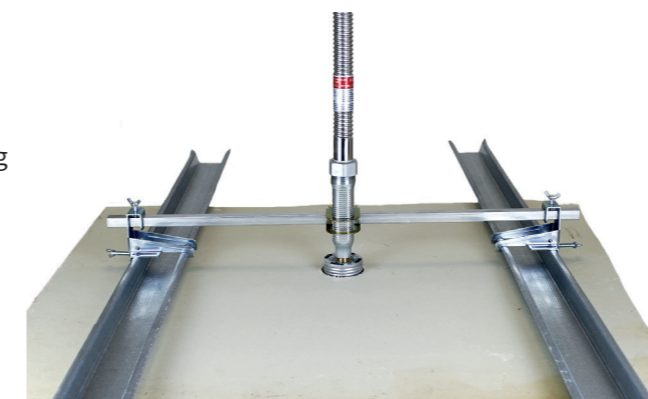
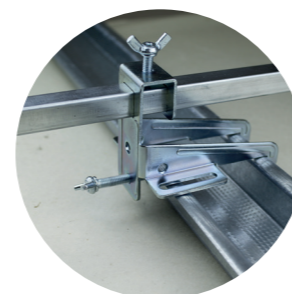
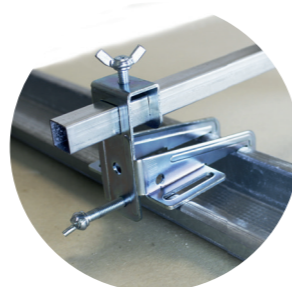
PLASTERBOARD END BRACKET (LONG)

For concealed and XL sprinklers, it is necessary to use the large plasterboard bracket and add an additional centre bar section to ensure the outlet nipple is an adequate distance away from the sprinkler. The additional bar can be cut from a length of centre bar.



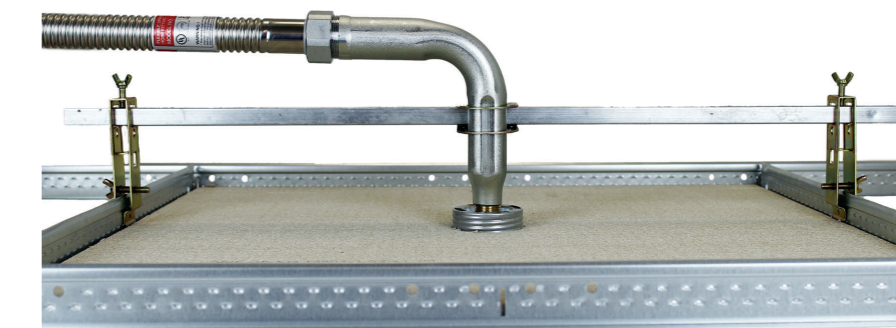
HAT CHANNEL BRACKET

When using the hat channel section on a plasterboard ceiling you are required to use the hat channel bracketry. This bracketry works with pendent, concealed and XL sprinklers.



90° LONG RADIUS REDUCER

The long radius reducer works with either the short (for pendent sprinklers) or medium length (for concealed and XL sprinklers) standard end brackets, hat channel bracket, wood bracket or plasterboard bracket.



90° RADIUS REDUCER

The elbow reducer works with either the short (for pendent sprinklers) or medium length (for concealed and XL sprinklers) standard end brackets, hat channel bracket, wood bracket or plasterboard bracket.

